

**BUDGIT<sup>®</sup>**  
*Hoists*

# POWERED HOISTS & TROLLEYS

ELECTRIC CHAIN HOISTS

AIR CHAIN HOISTS

TROLLEYS



COLUMBUS MCKINNON CORPORATION

## Budgit Electric Hoist

*Since 1935, Budgit® has led the industry in innovation, quality, and dependability. Our compact, lightweight, economical hoists are built to withstand the rigors of heavy service and repeated lifting cycles. Budgit hoists are easy to service, require minimal maintenance, and offer excellent headroom.*

**Budgit Hoists** are designed for H4 duty (300 starts/hour, 30 minutes/hour on time), which meets most heavy-duty industrial applications. BUDGIT's range of specifications and features have made it the perfect solution for thousands of hoists sold in industries such as:

- Automotive Industry
- Chemical Plants
- Pulp and Paper
- Fabricating shops/ machine shops
- Lumber Mills
- Marine
- Manufactured Housing Industry
- Foundries and Steel Mills
- Construction
- Shipping receiving and warehousing
- Textile
- Plastics

### ***Budgit also offers special hoists for specific industries***

#### ***Food Handling and Pharmaceutical***

Options include clean hoist (no paint) or FDA approved epoxy enamel paint, stainless steel lower block, hooks and chain and food grade oil for gear transmission.

#### ***Corrosion Resistant / Plating Applications***

Options include zinc-plated load chain and hooks, zinc-plated or anodized lower block, motor shaft seal and sealing of electrical joints.

#### ***Explosion Proof and Spark Resistant Features***

Hoist options allow for use in Class 1, Div. 2, Group C & D applications and Class 2, Div.2, Group F & G. Options include NEMA 7 panel for Class 1, Div. 1 and NEMA 4/12 panel for Class 2, Div. 2, stainless steel load chain, hook & lower block and intrinsically safe relays.

#### ***Precision Handling***

Budgit offers a wide range of hoisting speeds to suit your application. Optional 2-speed control (3:1 speed ratio) or variable frequency control (10:1 speed ratio) will offer precision handling control of loads.

#### ***Outdoor Service***

Weather resistant options such as zinc-plated load chain, water resistant covers and sealing of electrical joints make the hoist a good choice for use in outdoor applications.

UNSURPASSED **VALUE** WITH A **BUDGIT**

### ***Think Safety, Think Budgit***

Standard safety features:

- Overload Clutch – prevents and protects operator, hoist and supporting structure from lifting excessive loads.
- Paddle Type Upper & Lower Limit Switch – Automatically shuts down power to the hoist preventing lower block from two-blocking into hoist frame.
- Safety Latches – Spring loaded safety latches for both upper and lower hooks.
- Designed To Meet ASME/ANSI B30.16, CSA, NEC electrical codes and is ISO 9001 certified.

# Budgit Electric Hoist Cutaway



## Manguard Overload Protection

The Manguard prevents lifting loads beyond the hoist's load range, which may damage the hoist or supporting structure. Optional mechanical load brake is available.

## NEW Heavy Duty Motor Brake

AC spring set disc brake for positive braking action and long life with minimal maintenance. Easy 1-step adjustment procedure.

## Gearing

Totally enclosed, oil-bath lubricated for long life.

## High-Torque, Heavy Duty Hoist Motor

Motors are H4 30-minute rated with class "F" insulation and include a thermal actuated switch –(TAS) embedded in the motor winding for protection

## Load Sprocket & Chain Guide

Provided with a full floating chain guide that assures proper engagement of chain on load sprocket.

## Lower Block

Provided with a 360° rotating hook riding on thrust bearings. As standard, the hook is provided with a spring-loaded latch.



## Push-Button Controls

Standard push-button control station is contoured for operator comfort allowing easy one-handed sure grip control and provided with a weatherproof NEMA-4X enclosure. The push-button cable is provided with built-in strain relief to help prevent cable damage.

## Suspension

Hook suspension permits portability of the hoist while lug suspension reduces headroom and can be used with any of our rigid-mount trolleys. New design allows easy change out of either hook or lug suspension.

## Paddle Limit Switch

Paddle upper & lower control limit switch standard on all hoists.

## Hoist Controls

Single speed (standard) or optional two speed and variable frequency for precision handling is located under a removable cover for easy access.

## Powder Coat Finish

Provides a long lasting durable finish and added resistance to corrosive environments.

## Chain Container

Included as standard for lifts up to 20'.

## Die-Cast Aluminum Alloy Housing and Frame

Lightweight & rugged. Housing is precision machined for accurate gear and bearing alignment.

All hoists are built in compliance to ASME/ANSI B30.16 standards and NEC electrical codes. Budgit® electric hoists and motor-driven trolleys are CSA approved and are ISO9001 certified.

## Specifications

<b>Capacity Range</b>	1/4 thru 3 tons
<b>Lift</b>	10 feet standard, additional lifts available.
<b>Lifting Speed</b>	5 to 64 FPM
<b>AC Power Supply</b>	115/230 1-60 HZ; 230/460-3-60 reconnectable or 208 and 575-3-60 single voltage
<b>Control</b>	Push-button control voltage of 115 volts standard on all models. 24-volt control optional.
<b>Suspension</b>	Hook and Lug

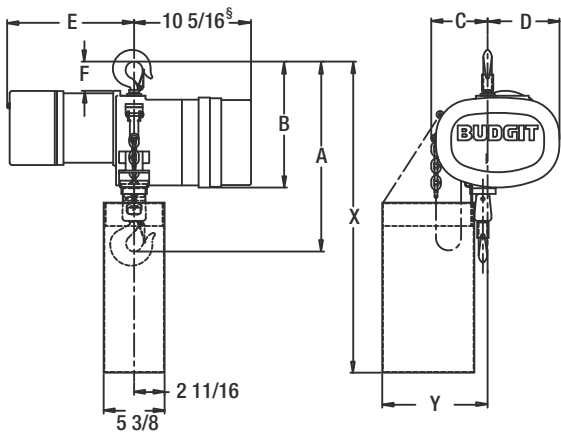
# Hook & Lug Mounted Hoists



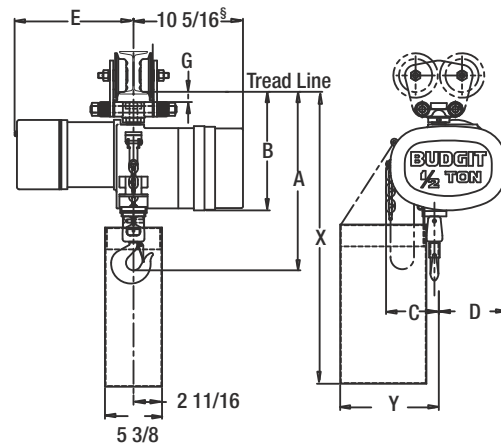
- Single speed standard. Optional 2-speed or variable frequency control available for precision load spotting.
- Heavy duty AC spring set motor brake with easy 1-step adjustment procedure.
- Gearing totally enclosed in oil-bath lubrication for long life.
- High-torque H4 rated heavy duty motor with Class 'F' insulation with thermal actuated switches embedded in the motor winding for protection from overheating
- Weatherproof NEMA-4X enclosed push-button control station specially contoured for operator comfort allowing easy one-handed sure grip control.
- Paddle type upper & lower control limit switch.
- Powder coat finish provides long lasting durable finish and added resistance to corrosive environments.
- Manguard overload protection prevents lifting excessive loads.
- Choice of either hook suspension permitting portability of the hoist or lug suspension which reduces valuable headroom.
- All hoists are built in compliance to ASME/ANSI B30.16 & CSA standards, ISO certified and NEC electrical codes.



## Hook Mount



## Lug Mount



§ This dimension becomes 11-5/16" for 2-speed and 2-1/2 Hp models only

## Specifications & Dimensions

Capacity tons	Hoist Catalog #	Lift Speed FPM	Motor H.P.	Parts of Chain	Net Weight lbs	A		B		C	D	E** Max.	F	G	X***		Y
						Hook in	Lug in	Hook in	Lug in						Hook in	Lug in	
1/4	BEHC2516	16	1/4*	1	77	16-3/4	16-13/16	11-1/8	11-3/16	5	6-5/16	14-1/4	2-9/16	15/16	27-1/2	27-5/8	9-1/2
	BEHC2532	32	1/2		80												
	BEHC2564	64	1		77												
1/2	BEHC5016	16	1/2	1	80	16-3/4	16-13/16	11-1/8	11-3/16	5	6-5/16	14-1/4	2-9/16	15/16	27-1/2	27-5/8	9-1/2
	BEHC5032	32	1		81												
1	BEHC0108	8	1/2	1	88	17-1/2	17-3/8	11-7/16	11-3/8	5-1/8	6-5/16	14-1/4	2-15/16	1-1/8	27-7/8	27-3/4	9-1/2
	BEHC0116	16	1		89												
	BEHC0132	32	2-1/2		95												
2	BEHC0204	4	1/2	2	110	23	22-1/16	13-1/8	12-3/16	6-3/8	5-1/16	14-1/4	4-9/16	1-1/16	33-1/2	32-5/8	10-3/4
	BEHC0208	8	1		111												
	BEHC0216	16	2-1/2		112												
3	BEHC0305	5	1	3	136	25-7/8	26-5/16	14-3/8	14-7/8	7-7/8	7-1/8	14-1/4	5-7/8	2	38-7/8	39-1/4	12-1/4
	BEHC0310	10	2-1/2		146												

\* Two speed hoist has a 1/2 H.P. motor

\*\* Maximum length between one & two speed model hoists. Consult factory for exact dimensions.

\*\*\* Dimensions based on lifts thru 30 ft (1/4 - 1 Ton capacities), thru 15 ft lift (2 Ton capacity) and thru 10 ft lift (3 Ton capacity)



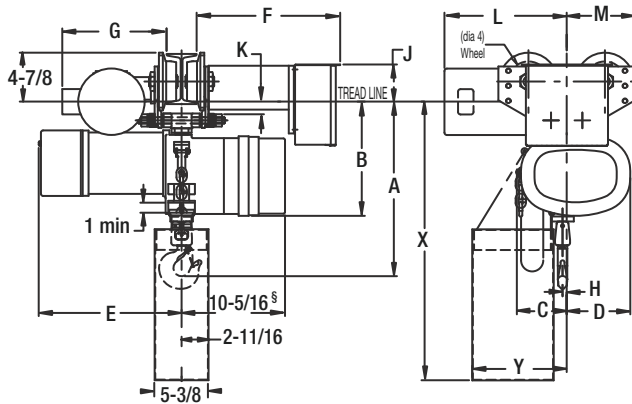
# Lug Hoists with Motor Driven Trolley

## One & Two Speed Hoists

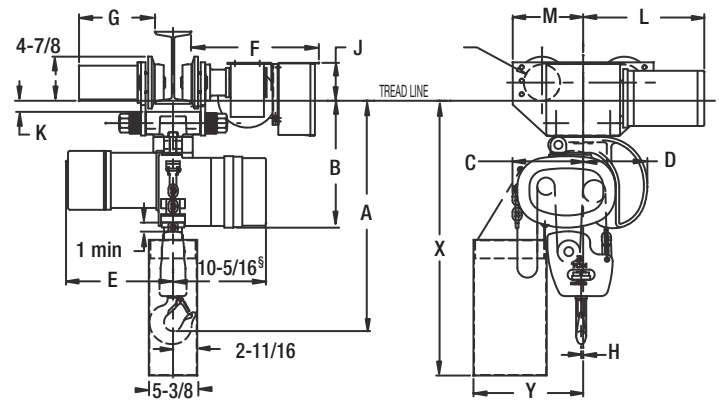


- Single speed standard. Optional 2-speed or variable frequency control available for precision load spotting for both hoist and trolley motions.
- Heavy duty AC spring set hoist motor brake with easy 1-step adjustment procedure.
- Trolley worm gear design provides smooth stopping performance.
- Hoist gearing totally enclosed in oil-bath lubrication for long life.
- Weatherproof NEMA-4X enclosed push-button control.
- Paddle Type upper & lower hoist travel limit switch.
- Manguard hoist overload protection prevents lifting excessive loads.
- All hoists and trolleys are built in compliance to ASME/ANSI B30.16 & CSA standards, NEC electrical codes and are ISO 9001 certified.

### 1/4, 1/2, 1 & 2 Ton Trolley



### 3 Ton Trolley



§ This dimension becomes 11-5/16" for 2-speed and 2-1/2 Hp models only

## Specifications & Dimensions

Capacity	Hoist Catalog Number	Lift Speed	Motor	Parts of Chain	Net Weight	A	B	C	D	E** Max.	F Max.	G Max.	J	K	L Max.	M Max.	X***	Y	H
tons		FPM	H.P.		lbs.	in	in	in	in	in	in	in	in	in	in	in	in	in	in
1/4	BEHC2516	16	1/4*	1	162	17-1/16	10-3/16	5	6-5/16	14-1/4	14-3/8	10-3/8	3-3/4	1-3/16	12-1/4	6-13/16	27-7/8	9-1/2	7/16
	BEHC2532	32	1/2		165														
	BEHC2564	64	1		164														
1/2	BEHC5016	16	1/2	1	165	17-1/16	10-3/16	5	6-5/16	14-1/4	14-3/8	10-3/8	3-3/4	1-3/16	12-1/4	6-13/16	27-7/8	9-1/2	7/16
	BEHC5032	32	1		166														
	BEHC0108	8	1/2		173														
1	BEHC0116	16	1	1	174	17-7/16	10-3/16	5	6-5/16	14-1/4	14-5/16	10-3/8	3-11/16	1-3/16	12-1/4	6-13/16	27-7/8	9-1/2	7/16
	BEHC0132	32	2-1/2		182														
	BEHC0204	4	1/2		207														
2	BEHC0208	8	1	2	209	22-1/4	11-1/8	6-3/8	7-1/16	14-1/4	14-1/2	10-1/2	4-3/8	1-1/4	12-1/4	7-9/16	28-3/4	10-3/4	3/16
	BEHC0216	16	2-1/2		210														
	BEHC0305	5	1		296														
3	BEHC0310	10	2-1/2	3	304	25-9/16	12-7/8	7-7/8	7-1/8	14-1/4	14-1/4	8-1/2	4-3/16	1-1/4	13-1/2	7-13/16	30-1/2	12-1/4	7/32

\* Two speed hoist has a 1/2 H.P. motor

\*\* Maximum length between one & two speed model hoists. Consult factory for exact dimensions.

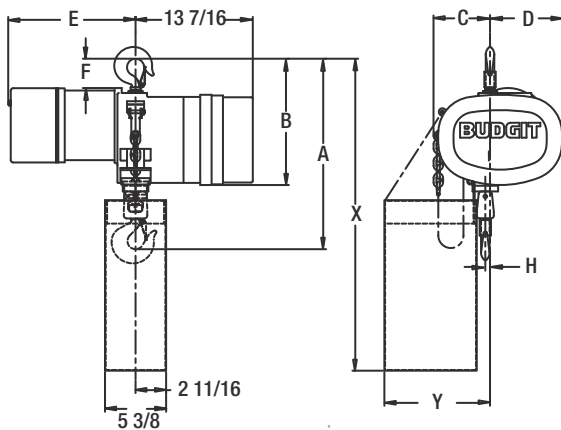
\*\*\* Dimensions based on lifts thru 30 ft (1/4 - 1 Ton capacities), thru 15 ft lift (2 Ton capacity) and thru 10 ft lift (3 Ton capacity)

# VFD Hoist

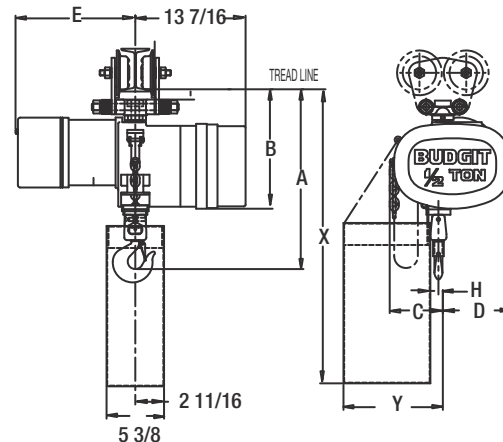


- Variable speed control with single speed motor
- Minimizes high-starting current on motor which helps keep it cool extending life of motor and also permits increase in motor run-time and starts/stops over standard contactor control.
- Electronic reversing, multispeed operation (up to 3 steps) eliminates conventional magnetic contactors which are wearable components
- Voltages available are 380-460/3/60, 208-230/3/60 and 208-230/1/60
- 10:1 speed ratio permits precise positioning for load spotting
- H4 duty rating
- 2-step infinitely variable push-button control standard. 3-step also available
- Thermal overload protection
- Fault recorder helps troubleshoot various problems such as power related issues.
- 3 programmable outputs

## Hook Mount



## Lug Mount



## Specifications & Dimensions

Capacity	Hoist Catalog #	Lift Speed	Motor	Parts of Chain	Net Weight	A		B		C	D	E* Max.	F	G	X**		Y
						Hook	Lug	Hook	Lug						Hook	Lug	
tons		FPM	H.P.		lbs	in	in	in	in	in	in	in	in	in	in	in	in
1/4	BEHC2516V	16	1/4	1	77	16-3/4	16-13/16	11-1/8	11-3/16	5	6-5/16	14-1/4	2-9/16	15/16	27-1/2	27-5/8	9-1/2
	BEHC2532V	32	1/2		80												
	BEHC2564V	64	1		77												
1/2	BEHC5016V	16	1/2	1	80	16-3/4	16-13/16	11-1/8	11-3/16	5	6-5/16	14-1/4	2-9/16	15/16	27-1/2	27-5/8	9-1/2
	BEHC5032V	32	1		81												
	BEHC0108V	8	1/2		88												
1	BEHC0116V	16	1	1	89	17-1/2	17-3/8	11-7/16	11-3/8	5-1/8	6-5/16	14-1/4	2-15/16	1-1/8	27-7/8	27-3/4	9-1/2
	BEHC0132V	32	2-1/2		95												
	BEHC0204V	4	1/2		110												
2	BEHC0208V	8	1	2	111	23	22-1/16	13-1/8	12-3/16	6-3/8	5-1/16	14-1/4	4-9/16	1-1/16	33-1/2	32-5/8	10-3/4
	BEHC0216V	16	2-1/2		112												
	BEHC0305V	5	1		136												
3	BEHC0310V	10	2-1/2	3	146	25-7/8	26-5/16	14-3/8	14-7/8	7-7/8	7-1/8	14-1/4	5-7/8	2	38-7/8	39-1/4	12-1/4

\* Maximum length for 3 phase model hoists. Consult factory for exact dimensions.

\*\* Dimensions based on lifts thru 30 ft (1/4 - 1 Ton capacities), thru 15 ft lift (2 Ton capacity) and thru 10 ft lift (3 Ton capacity)



### **WEATHER RESISTANT**

Weather resistant options such as water resistant covers, zinc-plated load chain, upper & lower hooks and sealing of electrical joints permit the hoist to be used for out door applications.



### **HEAVY DUTY RIGID MOUNT TROLLEYS FOR HEAVY DUTY SERVICE TRAVERSE APPLICATIONS**

Designed for use specifically with BUDGIT® lug mounted electric chain hoists. The wheels are heat treated forged steel with dual tread design for operation on either "S" or wide flange beams. Sealed precision ball bearings and heavy gauge steel side plates provide a heavy duty unit. Optional drop lugs available.



### **HOOK SUSPENSION**

Standard on all electric hoists. Hook suspension provides portability allowing the hoist to be moved throughout a facility.



### **LUG SUSPENSION BRACKETS**

Used to convert hoists from hook to lug suspensions. Must be used to accommodate rigid mount push, hand-gearred and motor-driven trolleys.



### **FOOD & PHARMACEUTICAL SERVICE OPTIONS**

Clean hoist (no paint) or FDA approved epoxy enamel paint, stainless steel load chain, hooks & lower block, and food grade lubrication.



### **PUSH-BUTTON STATION**

All motions can be controlled from a convenient, easy to operate NEMA 4X push-button station. Push-button stations are available for one and two speed, or variable frequency applications.



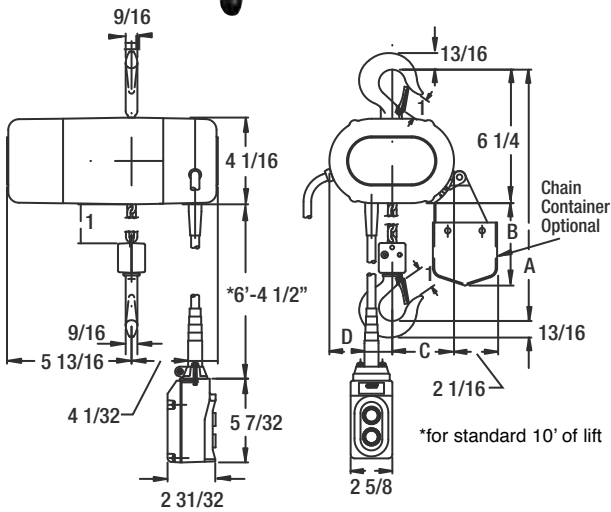
### **LINK CHAIN**

Link chain hoists are ideally suited for applications requiring heavier capacities, faster hoisting speeds and/or heavier duty cycles.



### **CABLE REELS**

Spring loaded reels keep power conductor cables taut and out of the way. Suitable for use with BUDGIT® and other electric hoists and trolleys. Cable reel is stationary type with a 340° pivot base.



- Easy installation and maintenance
- Standard protector overload device
- 10-pocket, oblique lay liftwheel for smooth chain operation, constant chain speed and reduced chain wear
- NEMA 4, industrial-rated control station
- Gear train lifetime lubricated with non-oxidizing grease
- Alloy load chain for smooth operation and maximum chain life
- Thermally-protected hoist duty motor
- Dual brake system - D.C. plus regenerative
- Rugged cast aluminum alloy hoist frame
- Small, compact design for commercial applications
- Totally enclosed, non-ventilated hoist frame protects the motor from environmental contamination
- Optional impact-resistant chain container is available
- Rigid latch style upper hook prevents tangling of power cord
- Precision bearings used throughout the hoist
- Hardened forged steel latch-style lower hook rotates 360°
- True vertical lift
- Lifetime Warranty

## Specifications & Dimensions

Capacity	Lift Speed	Motor	Reeving	Hoist Catalog Number				Lift	A	B	C	D	Shipping Weight
				*115-1-60	115-1-60	230-3-60	460-3-60						
lbs.	FPM	H.P.					ft.	in	in	in	in	lbs.	
250	16	1/16	single	931770	-	-	-	10	11-1/16	3-7/8	2-15/16	3	26
	16		single	-	931769	931771	931772						28
	24		single	-	-	931774	931775						28
	40		single	-	-	931777	931778						28
300	16	1/16	single	931781	-	-	-	10	11-1/16	3-7/8	2-15/16	3	26
	16		single	-	931780	931783	931784						28
	24		single	-	-	931786	931787						28
	40		single	-	-	931806	931807						28
500	8	1/16	double	931843	-	-	-	10	12-1/8	5-3/4	2-3/8	3-9/16	32
	8		double	-	931842	931844	931845						34
	12		single	931838	-	-	-						26
	12		single	-	931837	931839	931840						28
	20		double	-	-	931847	931848						34
	24		single	-	-	931862	931863						28
600	8	1/16	double	931791	-	-	-	10	12-1/8	5-3/4	2-3/8	3-9/16	34
	8		double	-	931790	931793	931794						34
	12		double	-	-	931796	931797						34
	20		double	-	-	931880	931881						34
1000	6	1/16	double	931866	-	-	-	10	12-1/8	5-3/4	2-3/8	3-9/16	34
	6		double	-	931865	931867	931868						34
	8		double	-	-	931870	931871						32
	12		double	-	-	931873	931874						32

\* Contractor in PB station

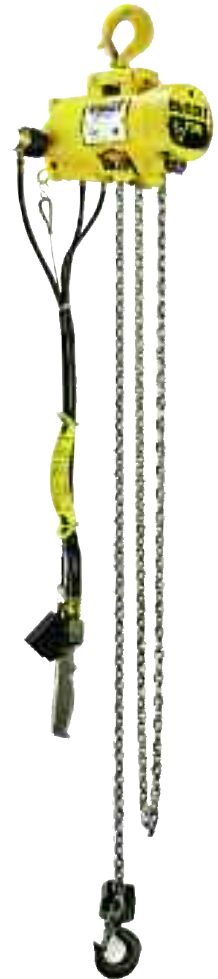


The first Budgit air hoist was introduced in 1958 in response to an industry need for an economical, high-performance air hoist. Constant improvements in design have kept Budgit air hoists ahead of changing industry demands.

## Budgit Air Hoist Advantages



- **Precise Load Spotting**  
Lifting and lowering speeds are continuously variable from zero to maximum.
- **Operates In Extreme Heat**  
The air hoist motor is designed for operation under conditions of relatively high ambient temperatures without need for special protection.
- **Higher Speeds**  
For applications where speed is a critical factor in production, Budgit air hoists provide very fast lowering speeds.
- **Free From Hazard of Electrical Shock**  
Since compressed air is the power source, Budgit air hoists have a distinct advantage over electrical shock hazards especially in wet locations.
- **Spark Resistant Features**  
Spark resistant options allow air hoists to be used in areas where danger of combustion or explosion from atmospheric conditions exist.
- **Easier To Maintain**  
There are no contactors, transformers, motor windings, fuses, etc. that are typical in electric hoists that need to be checked or replaced. As long as air going into the air motor is good and lubrication is supplied to the air motor, the Budgit air hoist is very easy to maintain.



UNSURPASSED **VALUE** WITH A **BUDGIT**



- Die-cast aluminum frame - lightweight, rugged, holds shafts and bearings in close alignment
- Gearing - combination of precision cut, heat treated helical and spur gears for quiet, efficient operation
- Mechanical load brake - positive action, spring biased Weston type load brake holds the load and provides exact load spotting and control
- Overload protection - MANGUARD overload device protects against excessive overloads... clutch also acts at upper and lower limits
- Multi-vane rotary air motor - eight vanes provide high torque smooth operation, positive starting and excellent control
- Internal Muffler - reduces sound level
- Pendant control - pendant throttle handle is of the full flow design for excellent load spotting capabilities
- Throttle valve - precision throttle valves meter the air for smooth operation

## Basic Hoist Data

### Rated Loads

1,2, and 3-ton (Spark resistant models are rated at 1/2, 1 and 2-ton).

### Air Pressure Recommended

90 PSI

### Air Consumption

70 SCFM (full load-full speed) slow speed model;  
80 SCFM (full load-full speed) fast speed model.

### Pendant Control Hose

6 foot pendant hose standard for 10 foot lift hoist, longer hose assemblies up to 36 foot available.

### Lift

10 foot lifts are standard. Additional lifts available.

### Net Weight (Basic Hoist)

100 lbs.

### Suspension

Hook or lug

### Air Inlet Size

3/4 NPTF

### Air Supply Hose Size

3/4 I.D. min.

## Hook & Lug Suspension Specifications

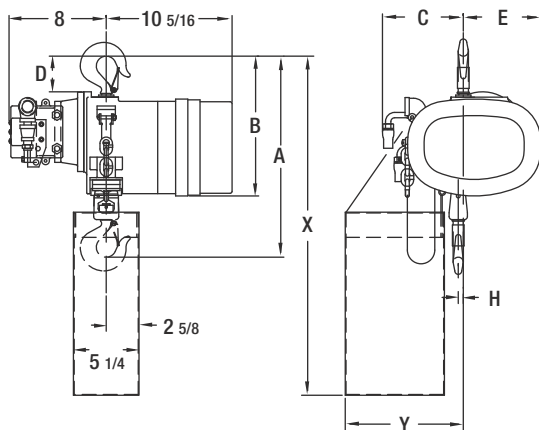
Capacity	Model	Hoist Catalog #	Full Load Lift Speed	Full Load Lowering Speed	Parts of Chain	Net Weight
tons			*FPM	*FPM		lbs.
1/2	Hook / Spark	911683	16	22	1	95
	Lug / Spark	911693				110
1	Hook / Standard	911644	13	18	1	93
		911641	30	42		95
	Hook / Spark	911684	8	11	2	112
		911654	13	18	1	106
	Lug / Standard	911651	30	42		108
		Lug / Spark	911694	8	11	2
2	Hook / Standard	911645	6	9	2	110
		911642	15	12		112
	Hook / Spark	911685	5	7	3	146
		911655	6	9	2	116
	Lug / Standard	911652	15	21		118
		Lug / Spark	911695	5	7	3
3	Hook / Standard	911646	4	6	3	144
		911643	10	14		146
	Lug / Standard	911656	4	6		164
		911653	10	14		166

\*Hoist speeds based on 90 PSI line pressure with full rated hoist load

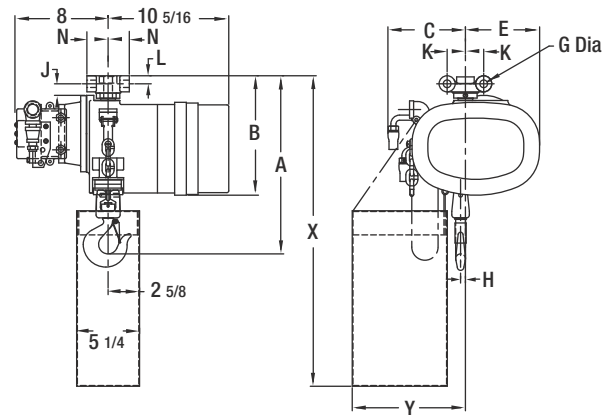
## Hook Suspension Specifications & Dimensions

Capacity	Model	Hoist Catalog #	A	B	C	D	E	H	X	Y	
tons			in	in	in	in	in	in	in	in	
1/2	Hook / Spark	911683	16-1/2	11-7/16	6-5/8	2-15/16	6-3/8	7/16	27-13/16	9-11/16	
1	Hook / Standard	911644	16-1/2	11-17/16	6-5/8	2-15/16	6-3/8	7/16	27-13/16	9-11/16	
		911641									
2	Hook / Spark	911684	22	13-1/8	7-15/16	4-9/16	5-1/16	3/16	29-1/2	11	
		Hook / Standard	911645	22	13-1/8	7-15/16	4-9/16	5-1/16	3/16	29-1/2	11
			911642								
3	Hook / Spark	911685	24-7/8	14-3/8	9-3/8	5-7/8	7-1/8	1/4	30-3/4	12	
		Hook / Standard	911646	24-7/8	14-3/8	9-3/8	5-7/8	7-1/8	1/4	30-3/4	12
			911643								

### Hook Suspension



### Lug Suspension



## Lug Suspension Specifications & Dimensions

Capacity	Model	Hoist Catalog #	B	C	E	J	K	L	M	N	G	H	X	Y	
tons			in	in	in	in	in	in	in	in	in	in	in	in	
1/2	Lug / Spark	911693	15-1/4	6-5/8	6-3/8	1	1-9/16	1-11/16	10-13/16	1-13/16	5/8	7/16	26-9/16	9-11/16	
1	Lug / Standard	911654	15-1/4	6-5/8	6-3/8	1	1-9/16	1-11/16	10-13/16	1-13/16	5/8	7/16	26-9/16	9-11/16	
		911651													
2	Lug / Spark	911694	21	7-15/16	5-1/16	1-11/16	2-1/2	1-7/8	11-1/8	2-3/16	1	3/16	27-1/2	11	
		Lug / Standard	911655	21	7-15/16	5-1/16	1-11/16	2-1/2	1-7/8	11-1/8	2-3/16	1	3/16	27-1/2	11
			911652												
3	Lug / Spark	911695	23-5/16	9-3/8	7-1/8	3-1/16	3	1-1/4	12-7/8	3	1-1/4	1/4	29-1/4	12	
		Lug / Standard	911656	23-5/16	9-3/8	7-1/8	3-1/16	3	1-1/4	12-7/8	3	1-1/4	1/4	29-1/4	12
			911653												

## Spark Resistant Models

Spark resistant hoists offer greater protection in hazardous environments. Components for spark resistance includes bronze alloy hooks with stainless steel hook latches, lower blocks of stainless steel on single part chain and aluminum on 2 and 3 part chain, chrome nickel non-magnetic stainless steel alloy load chain, bronze limit stop with aluminum limit actuators and modified sprocket and guide. A spark resistant chain container is recommended on 10 foot lift spark resistant hoists. Spark resistant chain containers are stainless steel.

The spark resistant Series 6000 air hoists have lower speeds and are derated due to the use of stainless steel load chain. The lower wear life of stainless steel chain limits applications to medium duty service.

When specifying lug suspended spark resistant hoists, care must be taken in the trolley selection to assure that the trolley fits the derated hoist lug. If this is your first purchase, consult the factory for assistance.



- Pull cord control provides a lightweight, economical hoist for accurate control of loads
- Pendant throttle control hoists offer ergonomic one-handed controls, for ease of operation
- Inlet air swivel with built-in strainer provides free hoist movement
- Aluminum frame and end cover contributes to the lightweight, easily portable, and rugged design
- Heavy duty shoe type brake is a proven design for stopping and holding loads in heavy duty applications
- External adjustment screws for decreased lift and lower speeds
- External brake adjustment
- Limit stops prevent over-travel in upper and lowering directions
- Equa-torque gearing of alloy steel, heat treated spur gears is accurately machined to provide a close meshed, compact gear reduction
- Eight-vane motor provides high torque, smooth starting and excellent control
- Tapped exhaust port 1/2 NPTF... for clean applications or to add a supplemental muffler in addition to the built-in muffler for even quieter operation

## Basic Hoist Data

**Rated Loads**  
1/4, 1/2, and 1-ton  
(Spark resistant models are rated at 3/8 and 3/4-ton).

**Air Pressure Recommended**  
90 PSI

**Air Consumption**  
48 SCFM at 90 PSI

**Pendant Control Hose**  
6 foot length is standard. Longer lengths are an optional extra up to 72ft available.

**Control**  
Pull cord or pendant throttle

**Lift**  
10 foot lifts are standard. Additional lifts available.

**Net Weight (Basic Hoist)**  
36 lbs.

**Suspension**  
Hook or lug

**Air Inlet Size**  
3/8 NPTF

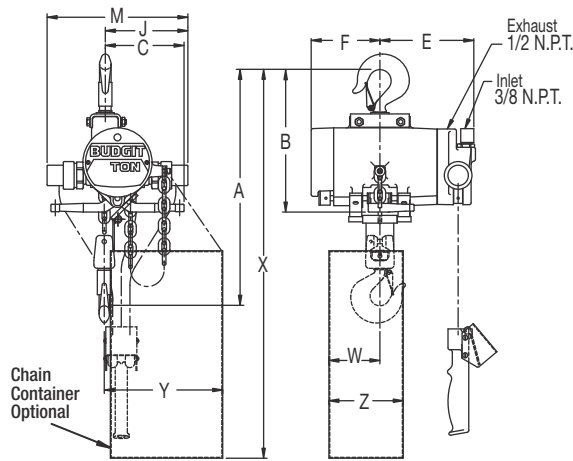
**Air Supply Hose Size**  
1/2 I.D. min.

**Air Exhaust**  
1/2 NPTF

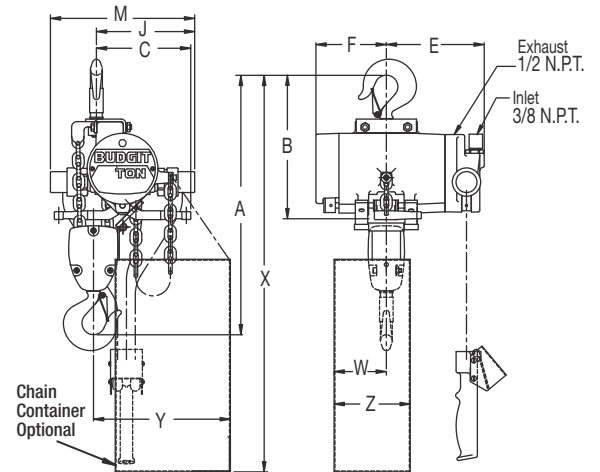
## Hook & Lug Suspension Specifications

Type	Capacity	Pull Cord Control		Pendant Throttle Control		Parts of Load Chain	Lifting Speed Max**	Lowering Speed Max**
		Model #	Net Weight	Model #	Net Weight			
tons	tons		lbs.		lbs.	in	in	in
<b>Hook Mount Trolleys</b>								
<b>Standard Models</b>								
Roller Chain	1/4	2201	37	2202	47	1	65	95
	1/2	2203	37	2204	47	1	45	120
	1	2205	51	2206	61	2	23	60
Link Chain	1/4	2211	36	2212	46	1	65	95
	1/2	2215	36	2216	46	1	45	120
	1	2219	49	2220	59	2	23	60
<b>Spark Resistant Models</b>								
Link Chain	3/8	2241	36	2242	46	1	60	100
	3/4	2243	49	2244	59	2	29	52
<b>Lug Mount Trolleys</b>								
<b>Standard Models</b>								
Link Chain	1/4	2251	36	2252	46	1	65	95
	1/2	2255	36	2256	46	1	45	120
	1	2259	49	2260	59	2	23	60
<b>Spark Resistant Models</b>								
Link Chain	3/8	2281	36	2282	46	1	60	100
	3/4	2283	49	2284	59	2	29	52





**1/4 and 1/2 ton**

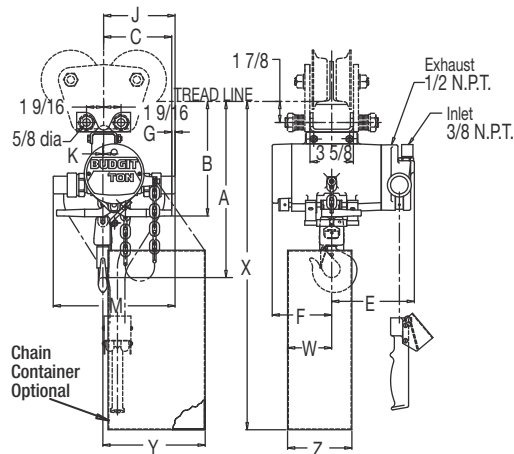


**1 ton**

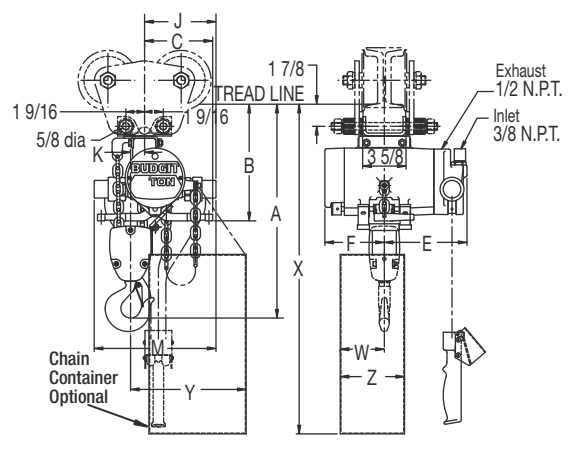
**Hook Suspension Specifications & Dimensions**

Type	Capacity	Pull Cord Control Model #	Pendant Throttle Control Model #	A	B	C	E	F	J	M	W	X	Y	Z	
tons	tons			in	in	in	in	in	in	in	in	in	in	in	
<b>Standard Models</b>															
Roller Chain	1/4	2201	2202	15-1/4	10-1/4	4-3/4	7-1/16	5-1/16	6-15/16	10-3/16	3-5/8	30-1/8	8-9/16	5-1/4	
	1/2	2203	2204	15-1/4	10-1/4	4-3/4	7-1/16	5-1/16	6-15/16	10-3/16	3-5/8	30-1/8	8-9/16	5-1/4	
	1	2205	2206	18	10-1/4	5-3/4	7-1/16	5-1/16	6-15/16	10-3/16	3-5/8	30-1/8	9-11/16	5-1/4	
Link Chain	1/4	2211	2212	15-1/4	10-1/4	4-3/4	7-1/16	5-1/16	6-15/16	10-3/16	3-5/8	30-1/8	8-9/16	5-1/4	
	1/2	2215	2216	15-1/4	10-1/4	4-3/4	7-1/16	5-1/16	6-15/16	10-3/16	3-5/8	30-1/8	8-9/16	5-1/4	
	1	2219	2220	18	10-1/4	5-3/4	7-1/16	5-1/16	6-15/16	10-3/16	3-5/8	30-1/8	9-11/16	5-1/4	
<b>Spark Resistant Models</b>															
Link Chain	3/8	2241	2242	15-1/4	10-1/4	4-3/4	7-1/16	5-1/16	6-15/16	10-3/16	*	*	*	*	
	3/4	2243	2244	18	10-1/4	5-3/4	7-1/16	5-1/16	6-15/16	10-3/16	*	*	*	*	

\* Spark resistant chain container dimensions can be found in the Air Hoist Accessories section of this brochure



**1/4 and 1/2 ton**



**1 ton**

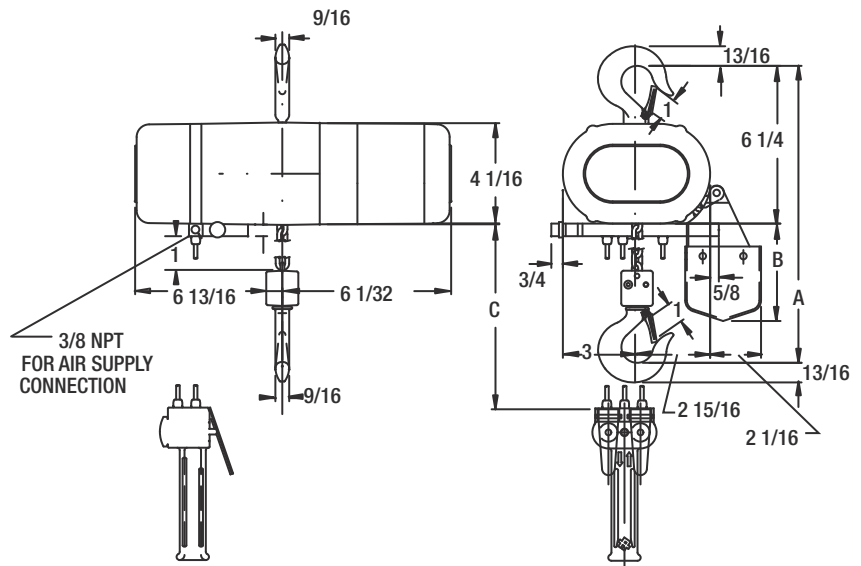
**Lug Suspension Specifications & Dimensions**

Type	Capacity	Pull Cord Control Model #	Pendant Throttle Control Model #	A	B	C	E	F	G	J	K	M	W	X	Y	Z
tons	tons			in	in	in	in	in	in	in	in	in	in	in	in	in
<b>Standard Models</b>																
Link Chain	1/4	2251	2252	13-7/8	9-5/8	4-3/4	7-1/16	5-1/16	1-1/4	6	1/16	10-3/16	3-5/8	29-1/4	8-9/16	5-1/4
	1/2	2255	2256	13-7/8	9-5/8	4-3/4	7-1/16	5-1/16	1-1/4	6	1/16	10-3/16	3-5/8	29-1/4	8-9/16	5-1/4
	1	2259	2260	17	9-3/4	5-3/4	7-1/16	5-1/16	1/4	6	1-3/16	10-3/16	3-5/8	29-1/4	9-11/16	5-1/4
<b>Spark Resistant Models</b>																
Link Chain	3/8	2281	2282	13-7/8	9-5/8	4-3/4	7-1/16	5-1/16	1-1/4	6	1/16	10-3/16	*	*	*	*
	3/4	2283	2284	17	9-3/4	5-3/4	7-1/16	5-1/16	1/4	6	1-3/16	10-3/16	*	*	*	*

\* Spark resistant chain container dimensions can be found in the Air Hoist Accessories section of this brochure



- 10-pocket oblique-lay liftwheel provides longer chain life
- Epoxy powder coat finish is smooth and tough
- Double reduction gearing
- Variable flow, two-lever pendant for precise load spotting
- Threaded external exhaust for piping away exhaust in clean room or painting operations
- Rugged cast aluminum alloy hoist frame. Small, compact design for commercial and industrial applications
- Industrial-duty air motor for tough requirements
- Gear train is lifetime-lubricated with non-oxidizing grease
- Hardened, forged steel, latch-style lower hook rotates 360°. Upper hook provided with a positive load engagement.
- Chain bucket optional



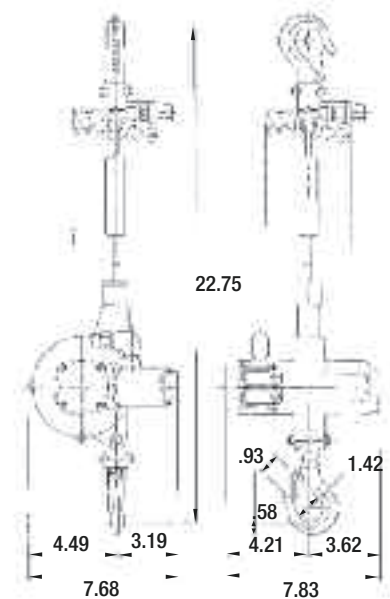
## Specifications & Dimensions

Capacity lbs.	Lift Speed FPM	Parts of Chain	Hoist Catalog Number	Headroom in	A in	B in	*C in	Shipping Weight lbs.
250	0-31	1	931889	10-7/8	10-7/8	3-7/8	6'4"	30
300	0-31	1	931890	10-7/8	10-7/8	3-7/8	6'4"	30
500	0-21	1	931892	10-7/8	10-7/8	3-7/8	6'4"	30
500	0-16	2	931894	11-15/16	11-15/16	5-3/4	6'4"	34
600	0-16	2	931895	11-15/16	11-15/16	5-3/4	6'4"	34
1000	0-11	2	931897	11-15/16	11-15/16	5-3/4	6'4"	34

\* Pendant drop is for 10' lift. Other lifts available.



- Capacity: Rated loads 300 lbs./140 kg.
- Efficient rotary vane motor provides high uniform torque for quick response and smooth, quiet operation.
- Handle-mounted pendant control for one-handed operation and load positioning.
- Precise and infinite speed control for accurate load spotting.
- Self-winding lifting cable stores conveniently inside unit.
- Swivel top and bottom hooks with safety latches standard, for portability and quick installation.
- Secures load and eliminates drift when pendant is released.
- A 3/8" NPT air filter-regulator-lubricator is needed for effective operation. Spark resistant features are not available.
- Lifetime Warranty
- Ideal Applications
  - Assembly Line
  - Machine Shops
  - Cleaning and/or Dipping Operations
  - Manufacturing Plants
  - Power Generating Stations
  - Shipping Departments
  - Chemical Facilities
  - Fabricating Shops
  - Repetitive Lifting Applications
  - Auto/Truck Repair
  - Handling Fixtures and Dies



### Specifications & Dimensions

Capacity	Model #	Standard Lift	Lift Speed w/ load		Lift Speed w/o load		Air Consump.	Headroom	Housing Dimensions			Max Air Pressure	Net Weight
			Up	Down	Up	Down			D	W	L		
lbs.		ft.	FPM				CFM	in	in.			psi	lbs.
300	TMM-140	6' 6"	36	59	49	39	21.2	22-3/4	7-2/3	7-7/8	23-3/4	70-95	18.7

# Air Hoist Accessories



## FILTER-LUBRICATOR UNIT

Air hoists must have a supply of clean, lubricated air for their operation. A filter and lubricator must be installed in the air supply line, as close as practical to the hoist. The recommended operating air pressure for all capacities of Budget air hoists is 90 psig. When air line pressure exceeds 115 psig, it is required that a pressure regulator be provided in the supply line to maintain proper pressure.



### Filter - Lubricator Units

Catalog #	Inlet / Outlet Size	Bowl Size.	Shipping Weight
	in	oz.	lbs.
902960	3/8	11	8
902961	1/2	11	8
902962	3/4	24	12
902963	1	24	12

### Filter - Regulator - Lubricator Units

Catalog #	Inlet / Outlet Size	Bowl Size.	Shipping Weight
	in	oz.	lbs.
902966	3/8	11	14
902967	1/2	11	14
902968	3/4	24	18
902969	1	24	18



## BULLARD HOOKS

All hoists are furnished as standard with hooks equipped with hook latches. Bullard Hooks with rugged cast swing gate locking member that provides greater assurance of load containment are available at additional cost. Spark resistant Bullard Hooks are not available.



## REDUNDANT SUPPORT

Hoist suspension redundant support for Series 2200 hoist is available for additional cost. This redundant support features a cable that inserts through the hoist frame and around the initial support.



## PENDANT THROTTLE CONVERSION KIT

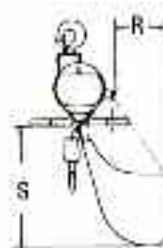
Kits for converting the pull cord Series 2200 Budget Air Hoist to pendant throttle operation has standard 6-foot pendant hose assembly. Longer hose assemblies available. Order Catalog No. 2269. Shipping weight is 8 pounds.

## CHAIN CONTAINERS

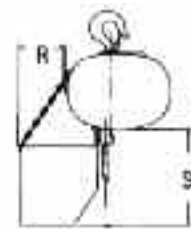
Chain containers provide an ideal means for eliminating hanging tail chains. They are easily installed and accept the chain in such a way that chains tend not to kink or twist. State codes are more frequently calling for use of chain container with each hoist.

### Chain Container for Series 2200 Air Hoist

Catalog #	Chain Type	Maximum Lift		Shipping Weight	Dimension	
		1/4, 3/8, 1/2 Ton	3/4, 1 Ton		R	S
		ft	ft	lbs.	in	in
902631	Link Chain	25	12	4-1/2	4-1/2	12
902635	Link Chain	45	22	9	4-1/2	17
902634	Link Chain	25	12	5	4-1/2	12
902636	Spark Resistant	45	22	10	4-1/2	7
902632	Roller Chain	15	-	6-1/2	9	17-1/2
902633	Roller Chain	30	15	11	12-1/2	22-1/4



Series 2200



Series 6000

### Chain Container for Standard Series 6000 Air Hoist

Catalog #	Maximum Lift			Shipping Weight	Dimension	
	1 Ton	2 Ton	3 Ton		R	S
	ft	ft	ft	lbs.	in	in
905434	15	do not use	do not use	4	4-1/2	10
905435	30	15	10	8	4-1/2	15
905436	45	22	15	10	4-1/2	19
905437	60	30	20	14	4-1/2	23
905438	75	37	25	15	4-1/2	28
905439	90	45	30	16	4-1/2	33

### Chain Container for Spark Resistant Series 6000 Air Hoist

Catalog #	Maximum Lift			Shipping Weight	Dimension	
	1/2 Ton	1 Ton	2 Ton		R	S
	ft	ft	ft	lbs.	in	in
905444	15	do not use	do not use	4	4-1/2	10
905445	30	15	10	8	4-1/2	15
905446	45	22	15	10	4-1/2	19
905447	60	30	20	14	4-1/2	23
905448	75	37	25	15	4-1/2	28
905449	90	45	30	16	4-1/2	33



## AIR HOSE ASSEMBLY

Assembly requires Catalog No. for both hose and fittings

### Air Supply Hose

Catalog #	ID	OD	Braid	Max. PSI	Width
	in	in			ft
901610	1/2	15/16	1	200	0.33
901611	3/4	1-1/4	2	225	0.52
901612	1	1-1/2	3	200	0.65

### Fittings\*

Male Swivel at One End -  
Standard Male at Opposite End

Catalog #	Hose ID	Thread Size M-NPT
	in	in
901614	1/2	3/8
901615	3/4	3/4
901616	1	3/4

\* Fitting installed on above hose.

### Fittings with Quick Disconnect\*

Quick Disconnect on One End -  
Standard Male at Opposite End

Catalog #	Hose ID	Thread Size M-NPT
	in	in
901618	1/2	3/8
901619**	3/4	3/4
901620**	1	3/4

\* Fitting installed on above hose.  
\* 3/4 NPT Quick disconnect is without check valve.



### AIR HOSE TROLLEYS CATALOG NO. 254

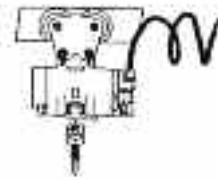
(For use with Series 2200 and Series 6000 Air Hoists)

These trolleys are used to support air hose and are installed on the same track as a hoist. Hose clamp swivels and will fit 5/8 to 1-1/2 inch diameter hoses. Shipped from factory in cartons of six only.

### RECOIL AIR HOSE WITH FITTING

For application where air hose trolleys with looped hose is impractical; coil type self-storing hose is recommended.

### Self Storing Air Hose with Fittings



Catalog #	Hose Size x Working Length	Fitting Each End
	I.D. in x ft	
901621	1/2 x 15	3/8 NPTF Male Swivel Fittings
901622	1/2 x 25	
901624	3/4 x 15	3/4 NPTF Male Swivel Fittings
901625	3/4 x 25	
901626	3/4 x 50	

### Nylon Coated Cable with Eyebolt Fittings Each End for Supporting Recoil Air Hose (Supports by Others)

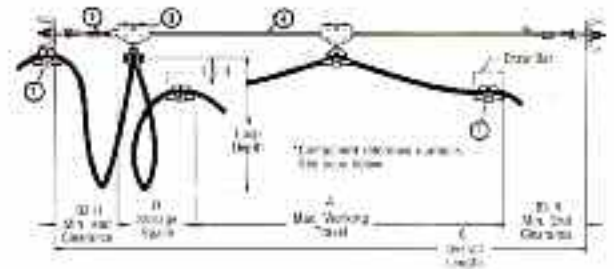
Catalog #	Length
	ft
901629	25
901630	50

## WIRE ROPE FESTOON SYSTEMS FOR AIR SUPPLY HOSE

System include (note numerical key in illustration at right): (1) 2 end clamp assemblies; (2) 1 hardware kit consisting of 2 eye-bolts, 5 clamps and 1 ball stop; (3) Intermediate carriers - see specified quantity in last column of chart below; (4) Nylon covered wire rope per required length.

### Hose System (from 0.91" to 1.25" O.D.)

Catalog #	A	B	C	D	Maximum Combine Cable Wt.	Clamp Distance	No. of Carriers (item 3)
	ft	ft	ft	ft	lbs. / ft	ft	
901601	16	3	18.5	0.84	1.31	6.87	2
	21	4	23.5	0.84	1.01	8.87	2
901602	28	3	31.1	1.40	1.31	6.87	4
	37	4	40.1	1.40	1.01	8.87	4
901603	40	3	43.6	1.97	1.31	6.87	6
	52	4	55.6	1.97	1.01	8.87	6



### NOTE:

Festooning hose and connectors are not included in the system.

# Rigid Mount Trolley



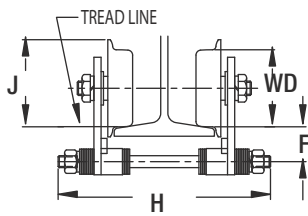
- Designed especially for use with lug suspended BEHC, 6000 Series, 2200 Series and USA Models.
- Ideal for low head room applications where distance from floor to I-beam is limited.
- Trolley side plates are of all-steel construction providing maximum strength.
- Wheels have hardened dual treads ensuring long life and operate on ball bearings for easy travel. Pressure fittings are provided in wheel axels to simplify lubrication.
- Dual treads allow trolley to run on both I-beam and width flange type beam applications. Optional patented type wheels available for patented track systems.
- Hand-gearred models, the hand chain operated wheel turns a pinion which meshes with steel gears for ease of operation and accurate spotting. Chain guide provided to ensure chain alignment with wheel.
- Anti-tilt rollers are provided on hand-gearred trolleys to eliminate the tilting of trolley on beam when operating with a light load or without a load.
- Optional safety drop stops and bumpers available.
- Spark resistant models available, heavy duty rigid mount trolleys.

## Specifications & Dimensions

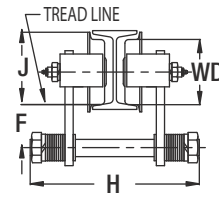
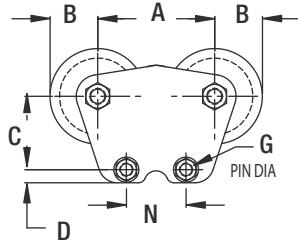
Capacity	Push Trolley		Hand Geared*		Flange widths	Min. Beam Depth**	Min. Radius Curve	A	B	C	D	WD	F Max.†	G Dia.	H	J Max.	M Max.	N
	Model #	Net Weight	Model #	Net weight														
tons		lbs.		lbs.	in	in	in	in	in	in	in	in	in	in	in	in	in	in
<b>Rigid Mount Trolleys</b>																		
1/4 & 1/2	905401	15	-	-	2-5/8 to 4-5/8 <sup>§</sup>	4	2' 6"	4-3/8	2-5/8	3-3/16	11/16	3-1/8	1-5/8	5/8	8-1/8	3-11/16	-	3-1/8
	905402	23	-	-	3 to 5	5	3' 6"	6-1/8	2-9/16	3-7/8	11/16	4	1-7/8	5/8	8-7/8	5	-	-
	905405	24	-	-	5-1/4 to 7-3/8										3-9/16		11-1/8	-
	-	-	905411	40	3 to 5										8-7/8		9-3/4	
	-	-	905413	41	5-1/4 to 7-3/8										11-1/8		11-1/8	
2	905403	43	905412	57	3-3/8 to 6	6	5' 0"	6-7/8	3-13/16	4-7/16	1	4-15/16	2	1	10-1/8	5-13/16	10-1/4	5
	905406	44	905414	58	6-1/4 to 8-7/8	6	5' 0"	6-7/8	4-3/16	5-3/4	1-3/8	4-15/16	3-1/4	1-1/4	13	11-7/8	11-7/8	
3	905404	50	905417	65	3-3/8 to 6										12-3/4	18-3/8		
	905407	52	905418	67	6-1/8 to 8-7/8										15-3/4	19-7/8		
	905408	54	905419	69	9 to 11									17-7/8	21-1/8			
<b>Heavy Duty Rigid Mount Trolleys</b>																		
1	900211	35	900261	50	3 to 5	6	3' 0"	7-5/8	3	3-7/8	3/4	4	1-7/8	5/8	8-7/8	4-7/8	10-9/16	3-1/8
	900212	38	900262	53	5-1/8 to 7-1/4										11-1/4		11-11/16	
	900213	41	900263	56	7-1/2 to 9-1/8										12-3/4		12-5/8	
2	900221	45	900271	60	3-3/8 to 6	6	5' 0"	9-1/8	3	4-1/8	1-5/16	4	2-1/8	1	9-1/2	4-7/8	10-1/16	5
	900222	48	900272	63	6-1/4 to 8-5/8										12-1/8		11-3/8	
	900223	51	900273	66	8-7/8 to 11-1/4										14-3/4		12-11/16	
3	900231	55	900281	70	4 to 6-1/4	6	5' 0"	9-1/8	3-1/4	4-1/2	1-3/8	4	2-1/2	1-1/4	12	4-7/8	16-1/2	6
	900232	58	900282	73	6-3/8 to 8-5/8										14-3/8		17-11/16	
	900233	62	900283	77	8-3/4 to 11										16-3/4		18-7/8	

\* Hand-gearred trolleys have standard hand chain drop of 9'-6". Longer chain available.  
 \*\* When used on smallest I-Beam size, beam must be free of all obstructions such as clips, suspension bolts and nuts.  
 § For 1/4 and 1/2 ton applications on wider flange beams, mount on 1 ton trolleys.  
 † Dimension "F" is based on largest size beam on which trolley will operate. Dimension increases slightly for each of the smaller beam sizes.

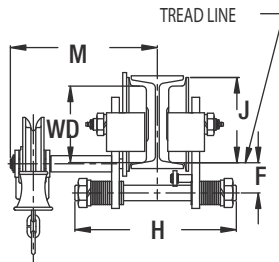
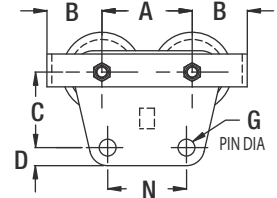
**Rigid Mount Trolleys**



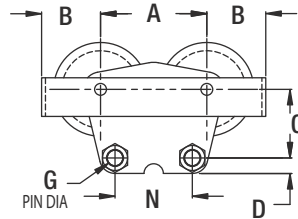
**Push Trolley 1/4, 1/2 & 1 ton**



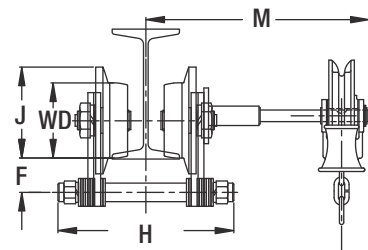
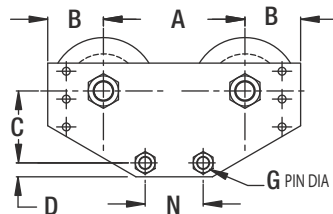
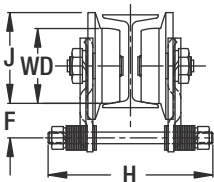
**Push Trolley 2 & 3 ton**



**Hand-Geared Trolley 1/2, 1, 2 & 3 ton**



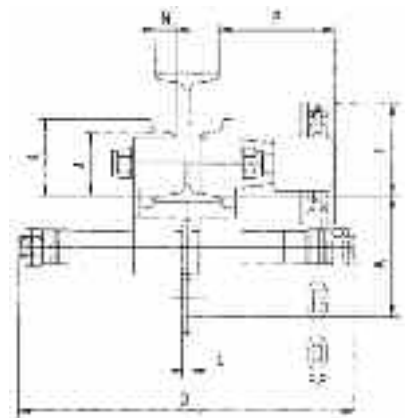
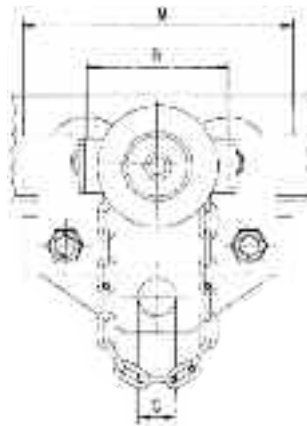
**Heavy Duty Rigid Mount Trolleys**



# Hook Suspension Trolleys



- Capacities from 1/4 to 5 ton (metric rated).
- Trolley sides are of all-steel construction for maximum strength
- Wheels are steel with hardened treads and roller bearings for easy traversing and long life
- Self aligning frames keep the load equally distributed, and are adjustable to fit several sizes of beams
- Wrap-around side plates provide built in drop stops to increase operator safety and act as a bumper to protect wheels
- Push trolleys are an economical alternative for low duty cycle, lighter capacity applications with lifts under 20 feet
- Hand geared trolleys are designed for applications requiring close control of horizontal movement of the hoist and its load
- Hand geared trolleys are deal for those applications where an operator shouldn't be near or touch the load to move or position it



## Specifications & Dimensions

Capacity*	Model # **	Standard Beam Height	I-Beam Width	Min. Radius Curve	Wheel Tread Diameter								(CBTG)				Net Weight	
						A	B	C	D	F	J	K	K	L	M	N		P
tons		in	in	in	in	in	in	in	in	in	in	in	in	in	in	in	in	lbs.
<b>Push Trolley</b>																		
1/4	CBTP-0025	4 to 24	2.0 to 8.7	27	2.36	3.94	3.54	1.18	11.81	-	2.36	2.83	-	0.31	7.56	0.71	-	19
1/2	CBTP-0050	4 to 24	2.0 to 8.7	27	2.36	3.94	3.54	1.18	11.81	-	2.36	2.83	-	0.31	7.56	0.71	-	19
1	CBTP(G)-0100	5 to 24	2.3 to 8.7	36	2.36	4.33	5.12	1.38	12.20	3.60	2.36	2.83	3.03	0.31	9.84	0.71	4.33	26
1-1/2	CBTP(G)-0150	6 to 24	2.3 to 8.7	45	3.15	5.12	5.91	1.89	12.60	3.56	3.15	3.78	3.86	0.47	11.81	0.79	4.33	46
2	CBTP(G)-0200	6 to 24	2.3 to 8.7	45	3.15	5.12	5.91	1.89	12.60	3.56	3.15	3.78	3.86	0.47	11.81	0.79	4.33	46
3	CBTP(G)-0300	8 to 24	3.0 to 8.7	55	4.41	6.18	7.09	2.36	13.39	4.23	4.41	5.20	5.24	0.55	14.57	1.14	4.33	86
5	CBTP(G)-0500	10 to 24	3.5 to 8.7	70	4.92	7.09	8.23	2.76	13.78	5.89	4.92	5.63	5.87	0.79	17.32	1.26	4.33	130

\* Metric rated

\*\* When ordering specify "P" for plain trolley or "G" for geared trolley



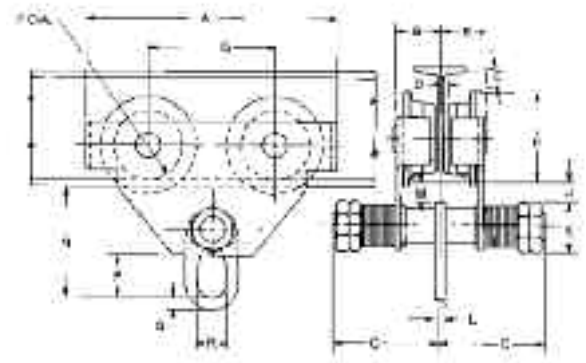
## Series 633 Ball Bearing Trolley



- Rugged steel side plates formed to include bumpers and trolley guards
- Frames connected by steel equalizer pin, secured by two nuts on each side
- Universal tread flanged trackwheels equipped with shielded ball bearings
- Easy rolling on American standard shaped, wide flange shapes or patented rail
- Hardened wheels and axles for added strength and durability
- Spacer washers can be shifted inside or outside for easy adjustment to wide range of beams
- To be used with hook suspended hoists
- Suspension plate for easy attachment is standard
- Bearings pre-packed with lifetime lubricant
- One-year warranty

### Specifications & Dimensions

Capacity	Model #	Depth	Flange Width	Tread Dia. Of Wheels	Min. Curve Rad.	Net Weight
tons		in	in	in	in	in
1/2	922085	3-15	2-1/2 to 5-5/8	2-9/32	35	17
1	922086	5-24	3 to 8	3-15/32	35	35
2	922087	6-24	3-5/8 to 8	3-15/16	59	53
3	922088	8-24	4 to 8	5-1/8	71	101
5	922089	10-24	4-5/8 to 8	6-1/8	94	145



Capacity	Model #	A	B	C	D	E	F	G	H	J	K	L	M	N	P	Q	R
tons		in	in	in	in	in	in	in	in	in	in	in	in	in	in	in	in
1/2	922085	8-1/2	2-5/32	5-1/16	1/16	-1/4	2-9/32	4	3	1-1/32	1-3/4	1/2	15/16	4-3/32	1-7/32	19/32	31/32
1	922086	10-13/16	2-13/32	6-9/16	7/16	11/32	3-15/32	4-7/8	4-11/32	1-1/32	2-3/32	1/2	31/32	5-1/16	1-3/4	19/32	1-5/32
2	922087	12-7/32	2-11/16	6-25/32	13/32	25/32	3-15/16	5-1/2	4-29/32	25/32	2-1/2	5/8	11/16	5-13/16	2-5/32	13/16	1-5/8
3	922088	14-13/16	3-1/16	7-13/32	1/2	1-7/16	5-1/8	6-9/16	6-1/8	1-3/16	3-13/32	5/8	15/16	7-7/16	2-9/16	1-3/8	1-31/32
5	922089	18-1/8	3-21/32	8	9/16	2-3/16	6-1/8	7-7/8	7-9/32	2-1/8	3-13/32	13/16	1-7/16	9-15/16	3-23/32	1-25/32	2-9/16

# Hook Suspension Trolleys



## Series 632 Close Radius Trolley

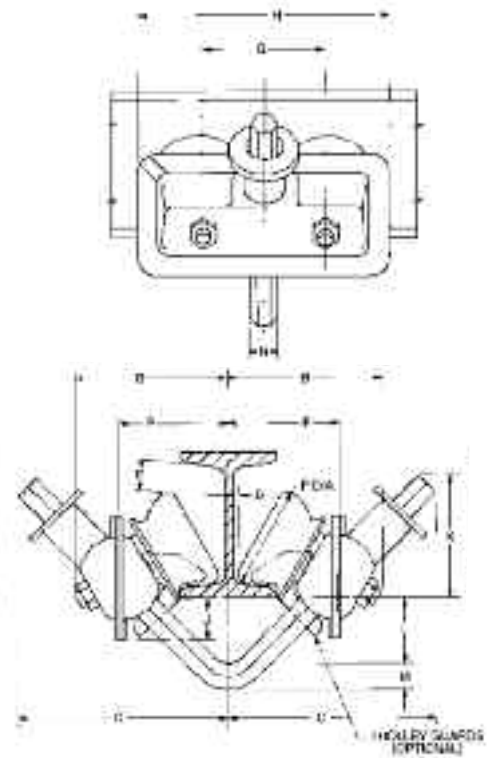
- Negotiates radius curves as tight as 7"
- Made of the highest quality rolled steel
- Unique double row, ball bearing wheel design provides five times greater wear capacity
- Larger V-bars available for wider flange adjustment
- For low headroom applications
- Bearings pre-packed with lifetime lubricant
- Exclusive Dial-Fit collar quickly adapts trolley to a wide range of beams and patented rails
- Dust covers shield and protect bearings
- Trolleys available for larger beams, rails and tracks; contact factory
- Cast iron trolley guards available (except for 3 ton)
- Lifetime Warranty

### A Compact Close Radius Trolley

With revolutionary advances, this shorter, more compact trolley is 50% lighter than competitive trolleys, yet every bit as tough.

## Specifications & Dimensions

Capacity*	Model #	Adj. for standard S-beam		Tread diameter	Net weight	Ship Weight	Min. Radius Curve
		Depth of Beam	Flange width				
tons		in	in	in	lbs	lbs	in
1/4 & 1/2	B3222	4-12	2-5/8 to 5-1/16	2-3/4	9	11	7
1	B3224	4-12	2-5/8 to 5-1/16	2-3/4	10	12	7
1-1/2 & 2	B3226	6-15	3-3/8 to 5-5/8	3-1/2	23	25	10
3	B3230	8-18	4 to 6-1/4	3-1/2	29	32	10



Capacity**	Model #	B	C	D	E	F	G	H	J	K	L	M	N	P	Q	R
tons		in	in	in	in	in	in	in	in	in	in	in	in	in	in	in
1/4 & 1/2	B3222	4-1/4	5-7/8	3/16	13/16	2-3/4	3-3/8	7	1-1/8	3-3/8	1-13/16	11/16	7/8	3	-	-
1	B3224	4-3/8	6	3/16	13/16	2-3/4	3-3/8	7	1-1/8	3-1/2	1-5/8	7/8	1	3-1/8	-	-
1-1/2 & 2	B3226	5-5/8	7-1/2	3/8	2-3/16	3-1/2	4-1/2	9	1-1/2	4-3/8	2	1-1/8	1-1/4	3-7/8	-	-
3	B3230	6-3/16	8-1/16	11/16	4-1/16	3-1/2	4-1/2	9	1-5/8	4-13/16	2-5/8	1-1/8	1-1/4	4-15/16	1/8	1-7/8

\* All capacities can be supplied for S-beams larger than listed and also for wide flange beams, rails or track with approximately equivalent flange widths

\*\* Dimensions given are for minimum S-beam and will vary with larger beams

## Push and Hand-Geared Trolleys



- Capacities 1/4 - 25 tons
- Heavy rolled steel side frames extend beyond the wheels providing superior strength and added protection for trackwheels
- Thick section steel clevis suspended from steel equalizer pin. Alloy steel axles and equalizer pins are heat treated for maximum strength and wear life.
- Trolley wheels are fully machined from alloy cast iron and hardened for high strength and long service life. Units 1/4 through 16 tons employ universal wheel treads for use on flat or tapered beam flanges. 25 ton model operates on American Standard I-beams with tapered flanges. For patented track, consult factory.
- Lifetime lubricated, precision ball bearings standard on units through 3 ton capacity. 4 ton trolleys and greater feature eight, sealed Timken, tapered roller bearings and grease fittings.
- On hand-gearred models, a hand chain operated wheel turns a machined steel drive pinion, engaging the two geared wheels.

## Specifications & Dimensions

Capacity tons	Model #		Beam Height in	Flange Width in	Minimum Radius Curve in	Net Weight lbs	
	Plain	Geared				Plain	Geared
1/4	1641-0025	1642-0025	4-12	2.66-5.00	20	23	38
1/2	1641-0050	1642-0050	4-12	2.66-5.00	20	23	38
1	1641-0100	1642-0100	5-12	3.00-6.00	24	43	62
1-1/2	1641-0150	1642-0200	5-12	3.00-6.00	24	45	65
2	1641-0200	1642-0300	6-18	3.33-6.25	30	67	90
3	1641-0300	1642-0400	6-18	3.33-6.25	30	70	93
4	1641-0400	1642-0500	8-24	4.00-7.00	36	155	184
5	1641-0500	1642-0600	8-24	4.00-7.00	36	160	188
6	1641-0600	1642-0800	8-24	4.00-7.00	36	160	188
8	1641-0800	1642-1000	10-24	4.62-8.00	60	300	347
10	1641-1000	1642-1200	10-24	4.62-8.00	60	310	360
12	1641-1200	1641-1600	10-24	4.62-8.00	60	310	360
16	1641-1600	1641-1600	18-24	6.00-8.00	96	800	895
20	1642-2000	1642-2000	18-24	6.00-8.00	96	845	955
25	1631-2500	1632-2500	18-24	6.00-8.00	120	1045	1200

Note: Wheels with convex treads are standard on all capacities 1/4 - 20, 20, 25, 30 and 40 ton trolleys can be furnished in tandem construction - Dimensions for 30 through 50 ton upon request. Dimensions shown are for minimum beam size and will vary proportionately for larger beams.

Capacity tons	A in	B in	C in	D in	E in	F in	G in	H in	I in	J in	K in	L in	M in	N in	O in	P in
1/4	11-1/2	6	1-7/8	4-7/8	7/8	1-3/4	2-3/4	6	-	7/8	4	2-7/8	1	1/4	2	4-1/8
1/2	11-1/2	6	1-7/8	4-7/8	7/8	1-3/4	2-3/4	6	-	7/8	4	2-7/8	1	1/4	2	4-1/8
1	13-1/4	6-3/4	2-1/4	5-3/8	1	1-3/4	3	6-1/8	-	1-1/8	5	3-3/4	1-1/4	1/4	1-3/4	4-3/4
1-1/2	13-1/4	6-3/4	2-1/4	5-3/8	1	2	3-1/4	6-1/8	-	1-1/8	5	3-3/4	1-1/4	3/8	1-3/4	4-3/4
2	15-5/8	7-5/8	2-5/8	6-3/4	1-1/8	2-1/8	3-5/8	6-1/8	-	1-1/8	6	4-1/2	1-1/2	3/8	2-1/8	5-1/4
3	15-5/8	7-5/8	2-5/8	6-7/8	1-1/8	2-1/4	4	6-1/8	-	1-1/8	6	4-1/2	1-1/2	1/2	2-1/8	5-1/4
4	18-3/4	8-1/2	3-1/4	8-3/8	1-1/4	2-3/4	4-3/4	8-1/8	1/8	1-3/8	8	6-3/8	2	5/8	2-5/8	6-1/8
5	18-3/4	8-1/2	3-1/4	8-5/8	1-1/4	3	5-1/2	8-1/8	1/8	1-3/8	8	6-3/8	2	5/8	2-5/8	6-1/8
6	18-3/4	8-1/2	3-1/4	8-5/8	1-1/4	3	5-1/2	8-1/8	1/8	1-3/8	8	6-3/8	2	5/8	2-5/8	6-1/8
8	23-5/8	10-5/8	3-7/8	10-5/8	1-3/8	3-1/2	6-1/2	9	1/8	1-11/16	10	8-1/4	2-1/2	3/4	3-1/4	6-7/8
10	23-5/8	10-5/8	3-7/8	11-1/8	1-3/8	4-1/2	8	9	1/8	1-11/16	10	8-1/4	2-1/2	1	3-1/4	6-7/8
12	23-5/8	10-5/8	3-7/8	11-1/8	1-3/8	4-1/2	8	9	1/8	1-11/16	10	8-1/4	2-1/2	1	3-1/4	6-7/8
16	28	12	4-3/4	13-3/4	1-7/16	4	9	10-11/16	1/4	1-3/4	11-11/16	9-3/4	3-1/4	1-1/4	4-5/8	7-5/8
20	28	12	4-3/4	16-3/4	1-7/16	4-1/2	10	10-11/16	1/4	1-3/4	11-11/16	9-3/4	3-1/4	1-1/4	4-5/8	7-5/8
25	28-1/4	14	5-7/8	16-3/4	2-1/8	4	10	14-1/2	5/16	2	13-1/2	11-3/4	3-1/4	1-3/4	7	8-1/4

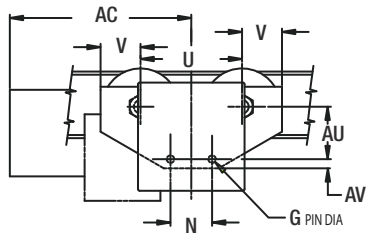
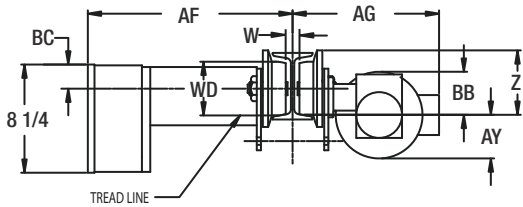
Note: For wide flange beam adaptation, patented track or for beams larger than standard consult factory. For geared trolley weight is shown less chain. 8ft standard zinc plated hand chain drop on geared trolley. Specify curve on order.

# Motor Driven Trolley

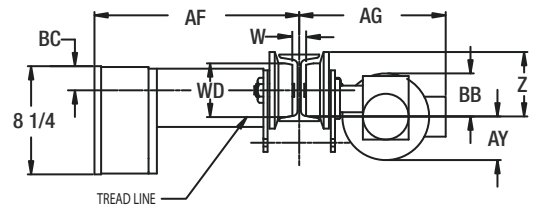


- Steel frame side plates extend beyond the wheels for end stop contacts. Side plates have tapped holes for collector bracket attachment. Optional safety drop stops and bumpers.
- Wheels are forged heat-treated steel with contour tread for use on American Standard I-beam or wide flange beams.
- Traverse motor is 30-minute rated, totally enclosed non-ventilated with class “F” insulation and TAS as standard.
- Traverse gearing is housed in a heavy duty right angle drive reducer with output pinion meshing with machine cut wheel gears.
- Trolley controls are housed in a NEMA 1 enclosed panel mounted on the trolley side for easy access. The controls include a reversing contractor, terminal strip and NEMA 4X pendant station with hoist and trolley push-button controls as standard.

## 1/4 to 1 & 2 ton

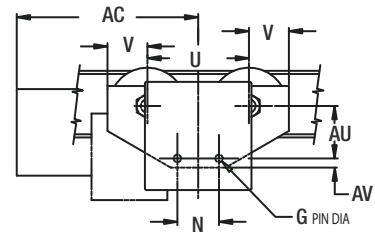


## 3 ton



## Specifications & Dimensions

Capacity	Model #	Standard Width Adjustment	Optional Flange Extended Adjustment		Trolley Speed	Optional Standard Speeds	Special Speed	Motor
			1st Extension	2nd Extension				
tons		in	in	in	FPM	FPM	FPM	HP
1/4 to 1	MDT01	3 to 5	5-1/8 to 7-1/4	7-1/2 to 9-1/8	75	50 & 100	25, 150	1/4
2	MDT02	3-5/8 to 6	6-1/4 to 8-5/8	8-7/8 to 11-1/4	60	40 & 80	30, 120	1/4
3	MDT03	4 to 6-1/4	6-3/8 to 8-5/8	8-3/4 to 11	50	75 & 100	25, 125	1/4



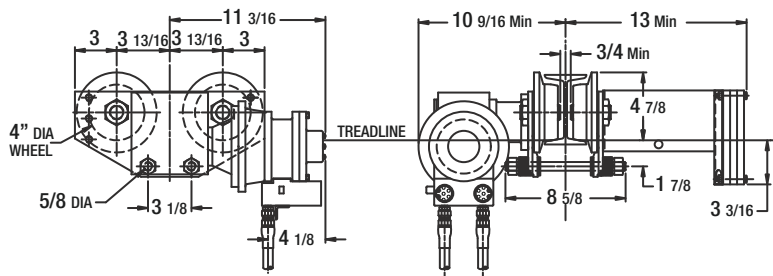
Capacity	Model #	AC	AF Max	AG Max	AU	AV	AY	BB Max	BC	G Dia	N	U	V	Z	WD	Min Radius
tons		in	in	in	in	in	in	in	in	in	in	in	in	in	in	ft.
1/4 to 1	MDT01	12	16-7/8	12-1/2	3-7/8	3/4	2-9/16	3-1/8	1-13/16	5/8	3-1/8	7-3/4	3	4-7/8	4	3
2	MDT02	12	16-7/8	12-1/2	4-1/8	1-15/16	1-15/16	2-1/16	2-7/16	1	5	9-1/8	3	4-7/8	4	5
3	MDT03	13-1/2	16-13/16	5-7/8	4-1/2	1-3/8	-	-	2-1/8	1-1/4	6	9-1/8	3-1/4	4-7/8	4	5

Always specify voltage when ordering. Voltages available: 115/230-1-60, 208-230/460-3-60, 575-3-60  
 115/230-1-60 is not available on trolleys for two speed hoists or two speed trolley.  
 Two speed trolleys have a 3:1 speed ratio. Standard pendant drop from trolley is 7 feet. Longer cables are available.  
 Trolleys are equipped with 3-foot length power supply cable. Longer lengths are available.

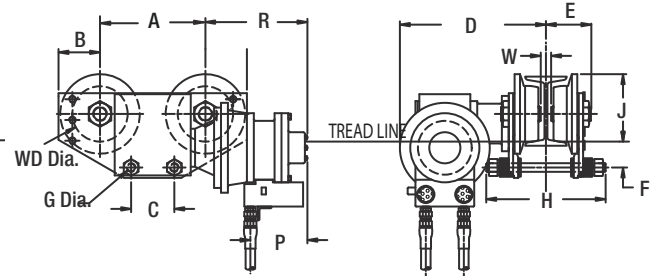


- Steel frame side plates extend beyond the wheels for end stop contacts. Side plates have tapped holes for optional safety drop stops & bumpers.
- Wheels are forged heat-treated steel with contoured tread for use on American Standard tapered or wide flange beams.
- Wheel bearings are sealed lifetime lubricated precision ball bearings
- Traverse gear reducer is rugged right angle drive reducer with output pinion meshing with machine cut wheel gears. The drive units are shipped with high-grade synthesized hydrocarbon oil for excellent gear protection and wide temperature range capacities.
- Eight vane air motor provides high torque, smooth starting and excellent control.
- Pendant throttle control provides precise, controlled spotting and efficient load handling.
- Spark resistant models are available for those areas where protection is needed in a hazardous environment. They contain all the same features except for the introduction of a spark resistant bronze wheel.
- Air consumption: 50 SCFM, Air pressure recommended: 90 PSI

## Series 2200



## Series 6000



## Specifications & Dimensions

Capacity	Model #	Flange Width Adjustment	Inverse Speed	A	B	C	Max D	Max E	Min F	Dia G	H	Max J	Max L
tons		in	FPM	in	in	in	in	in	in	in	in	in	in
<b>Standard Trolleys</b>													
1/4, 1/2, 1	911706	3 to 5	50	7-5/8	3	3-1/8	11-9/16	4-1/2	1-7/16	5/8	8-7/8	5-1/8	3-11/16
2	911707	3-5/8 to 6	60	9-1/8	3	5	12-1/16	5	1-5/8	1	9-1/2	5-3/16	3-5/8
3	911708	4 to 6-1/4	60	9-1/8	3-1/4	6	12-1/2	5	1-7/8	1-1/4	12	5-5/8	3-1/2
<b>Spark Resistant Trolleys</b>													
3/8, 1/2, 3/4	911710	3 to 5	50	7-5/8	3	3-1/8	11-9/16	4-1/2	1-7/16	5/8	8-7/8	5-1/8	3-11/16
1	911711	3-5/8 to 6	60	9-1/8	3	5	12-1/16	5	1-5/8	1	9-1/2	5-3/16	3-5/8
2	911712	4 to 6-1/4	60	9-1/8	3-1/4	6	12-1/2	5	1-7/8	1-1/4	12	5-5/8	3-1/2

Capacity	Model #	P	R	Min W	WD	Min Radius	Min Beam Depth	Flange Adjustment			Net Weight
								Standard	1st Extension	2nd Extension	
		in	in	in	in	in	in	in	in	in	
<b>Standard Trolleys</b>											
1/4, 1/2, 1	911706	4-1/8	7-3/8	1/2	4	3'-0"	6	3 to 5	5-1/8 to 7-1/4	7-1/2 to 9-1/8	95
2	911707	4-1/8	6-5/8	1-1/16	4	5'-0"	7	3-5/8 to 6	6-1/4 to 8-5/8	8-7/8 to 11-1/4	105
3	911708	4-1/8	6-5/8	1-3/8	4	5'-0"	8	4 to 6-1/4	6-3/8 to 8-5/8	8-3/4 to 11	150
<b>Spark Resistant Trolleys</b>											
3/8, 1/2, 3/4	911710	4-1/8	7-3/8	1/2	4	3'-0"	6	3 to 5	5-1/8 to 7-1/4	7-1/2 to 9-1/8	95
1	911711	4-1/8	6-5/8	1-1/16	4	5'-0"	7	3-5/8 to 6	6-1/4 to 8-5/8	8-7/8 to 11-1/4	105
2	911712	4-1/8	6-5/8	1-3/8	4	5'-0"	8	4 to 6-1/4	6-3/8 to 8-5/8	8-3/4 to 11	150

Equipped with 7 foot pendant control hose.  
 Always specify the hoist catalog number that will operate with the trolley.  
 Models for patented track with narrow flat tread steel wheels are available.  
 Models with extended beam flange adjustment are available.



## Budgit Hoists Offers

In addition to the diverse line of hoists outlined in this catalog, Budgit Hoists offers an array of related products for lifting and pulling. Manual hoists with integral load limiters are prevalent in industrial settings. For construction and maintenance applications, lever tools may be used to secure loads during repair and positioning work. Special products such as spark-resistant hoist and trolley combinations are used in sensitive environments. The versatile products from Budgit Hoists are designed to tackle a variety of material handling needs with smooth, dependable efficiency.



**CM Series 622**  
Hand Chain Hoist  
Capacities 1/2 to 5 Ton

- Rugged steel frame construction
- Enclosed housing allows outdoor use
- Weston-type load brake requires no lubrication
- 2-stage gears and pinion
- Roller and ball bearings



**Budgit Series USA**  
Hand Chain Hoist  
Capacities 1/4 to 6 tons

- Standard lift 8' (other lifts available)
- Portable - light weight housing
- Overload device - standard
- One-piece steel load sprocket and sprocket gear
- Hook latches on all models
- Spark & corrosion resistant models
- A real "Made in America" competitor



**Budgit Series USA**  
Army-Type Hand Chain Hoist  
Capacities 1/4 to 6 tons

- Compact design for low headroom applications
- Same features as the Series USA hand chain hoist with the exception of substituting a lug suspension for the normal hook suspension
- Rigid mount trolleys available in push type or hand geared type

HAND CHAIN HOISTS



**CM Bandit**  
Ratchet Lever Hoist  
Capacities 3/4 to 6 Ton

- **LIGHTWEIGHT & COMPACT**  
CM Bandit hoist's portable design and 360° rotating handle makes it one of the most versatile on the market.
- **FAST SHIPPING – GUARANTEED**  
3/4 & 1-1/2 ton capacity Bandit hoists are guaranteed to ship in 3 days or less with our In-Stock Guarantee.
- **EASY IDENTIFICATION**  
CM SmartID is available standard on all CM Bandit ratchet lever hoists for the U.S. market - making it the world's first HMI-Certified ratchet lever hoist with RFID technology.
- Assembled in USA (U.S. model)
- Chain made in USA (U.S. model)
- Bolted-on hooks made in USA (3/4 and 1-1/2 ton U.S. model only)



**CM Series 653**  
Ratchet Lever Hoist  
Capacities 3/4 to 6 Ton

- Impact resistant, stamped steel frame, gear case & cover
- Light weight design
- Double-pawl arrangement for assured load control
- Weston-type braking system
- Shipyard hook option available



**CM Series 602 & 603**  
Mini Ratchet Lever Hoist  
Capacities 550 to 1100 lbs.

- Small compact design. Use in confined conditions
- Weston-type load brake
- Impact resistant, all steel frame
- Free wheeling feature
- Metric rated



**Single Girder Top-Running Components**  
Capacities up to 5 Tons

- Maximum bridge span up to 48' for dual drive configuration
- Push, hand-gear and motorized models available
- High strength ductile iron wheels are hardened to 220 BHN for long life
- Wheel variations allow truck to run on either ASE rail or square bar runways
- Long life worm gear drive reducer provides smooth acceleration and deceleration minimizing load swing
- Precision lifetime lubricated ball bearings
- Drive motors are NEMA design 30 minute rated TENV with class 'F' insulation with overload protection as standard
- Frame is robot welded for true alignment and rigidity



**Single Girder Under Running Components**  
Capacities up to 5 Tons

- Maximum bridge span up to 48' for 3 Ton dual drive and 36' for 5 Ton
- Push, hand-gear and motorized models available
- Long life steel wheels are hardened to 300 BHN. Dual contour tread allows for operation on either I beam or wide flange runways
- Spark resistant features available
- Long life worm gear drive reducer provides smooth acceleration and deceleration minimizing load swing.
- Precision lifetime lubricated ball bearings
- Girder pads allow for easy welded or bolted connection to bridge girder
- Drive motors are NEMA design 30 minute rated TENV with class 'F' insulation with overload protection as standard
- Frame is robot welded for true alignment and rigidity

# THE POWER OF INTELLIGENT LIFTING

Columbus McKinnon is one of the most respected and well-known names in the material handling industry. We combine two different yet complimentary areas of expertise – rigging products and hoists – to develop complete floor-to-ceiling lifting systems for even the most unique material handling applications.

Columbus McKinnon designs and manufactures a large portfolio of durable and reliable products for a variety of industries. Our portfolio includes powered and manual hoists, rigging products, below-the-hook attachments, cranes, enclosed track systems and specially engineered products.



## KNOW HOW. KNOW WHY. BE SAFE. GET TRAINED.



Not only is Columbus McKinnon a leader in material handling products, we are also a global leader in providing expertise and training on the proper use and inspection of rigging and overhead lifting equipment. With a range of comprehensive programs and seminars conducted at venues throughout North America, including our hands-on training centers and private companies, our courses include:

- Hoist Maintenance
- Crane & Hoist Inspection
- Crane Operator Training
- Safe Hoisting
- Load Securement
- Rigging
- Rigging Gear Inspection

One of our newest programs, **CMCO University™**, is a three-day course designed to give attendees an intimate knowledge of our products, the information they'll need to select the right product for the application, and the tools to win in the marketplace.

Classes are available at our state-of-the-art, hands-on training centers, including the **Niagara Training Center** and the **Hoist & Rigging Training Center of Excellence in the Center for Occupational Health and Automobile Manufacturing (COHAM) lab at The Ohio State University.**

Rely on Columbus McKinnon for the products and expertise you need to keep your workforce productive and safe.



USA: Ph: (800) 888.0985 • (716) 689.5400 • Fax: (716) 689.5644  
 CANADA: Ph: (877) 264.6478 • Fax: (877) 264.6477

