



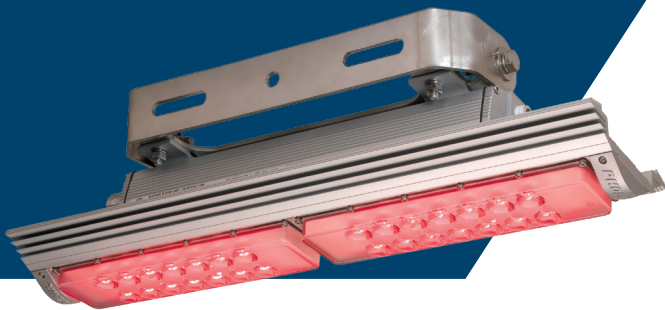
PHOENIX[®]
 DURABILITY X DESIGN™

Danger Light™

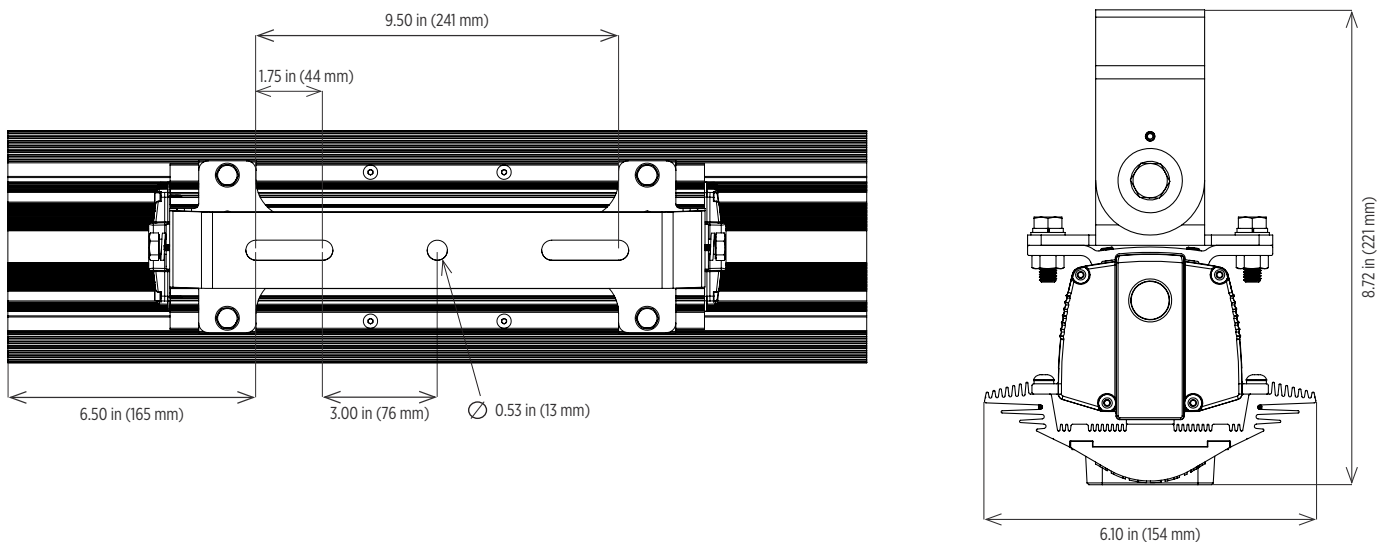
Heavy Duty LED

US Design Patent No. D720,875

Designed to illuminate the “danger zone” surrounding large mobile equipment
 Provides a distinct, narrow, red beam to promote safety
 Compact, low profile design with adjustable mounting harp
 LED technology increases efficiency, eliminates maintenance and supports green initiatives



Dimensions



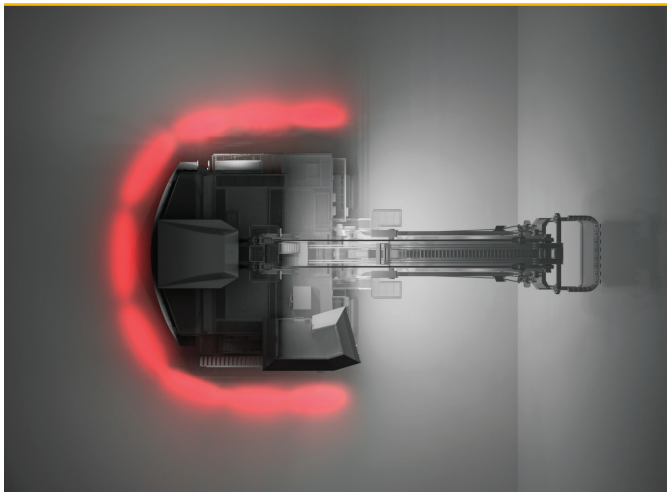
Danger Light™

Heavy Duty LED

Specifications

Construction	Marine grade, extruded aluminum housing Marine grade, die cast aluminum end plates
Finish	Anodized finish on extruded parts Thermoset powder coat paint on die cast parts
Hardware	Marine grade (316) stainless steel
Lens	Impact resistant polycarbonate Customized linear optic
Light source	Lumileds Rebel T red light emitting diodes (LED) 42W, up to 3800 lumens Conformally coated circuit boards 50,000 hour rated life
Power source	120-277V, 50-60Hz (UNIV) Fully potted Replaceable
Power factor	> 0.9 at 120V
Surge protection	20kV/kA
Wiring	Wire leads standard (connectors accept up to 12 AWG wire)
Through wiring	Standard fixture is designed for continuous row mounting
Ambient operating temperature	-40°C to +50°C
Mounting	Harp mount
Estimated Weight	16.5 lb (7.5 kg)
Warranty	5 years

For IES files, see website or contact factory



Top view rendering of an electric rope shovel outfitted with nine Danger Lights

Cover photo: Rendering of Danger Lights on an electric rope shovel

Ordering Information

Standard Unit: DNG-2-UNIV

Fixture	Circuit Boards	Voltage
DNG	2	UNIV

Circuit Boards

2 Two circuit boards (up to 3800 lumens)

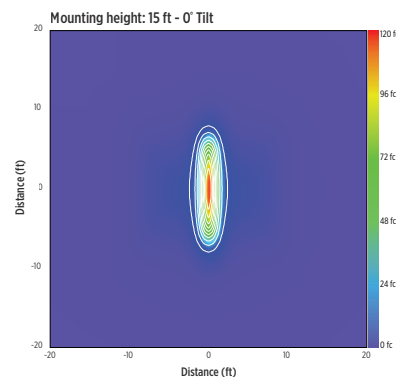
Voltage

UNIV 120-277V, 50-60Hz

Special Projects: We may be able to accommodate your special projects, so please don't hesitate to ask about additional options. Minimum order quantities and/or extended lead times will apply. Contact your Phoenix representative with specific inquiries.

Isolux Chart

DNG-2-UNIV



Product design and specifications are subject to change without notice. The most current version of this specification sheet can be found on our website: www.phoenixlighting.com.