



PHOENIX[®]
DURABILITY X DESIGN™

Sturdilite[®] E-DC Series

Low-voltage LED Floodlight



E36

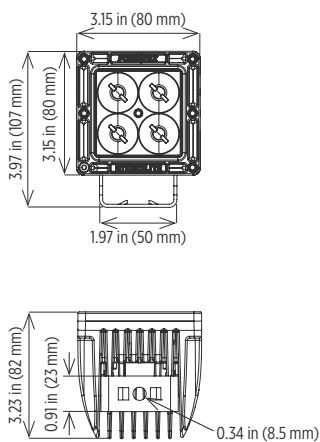
E56

E90

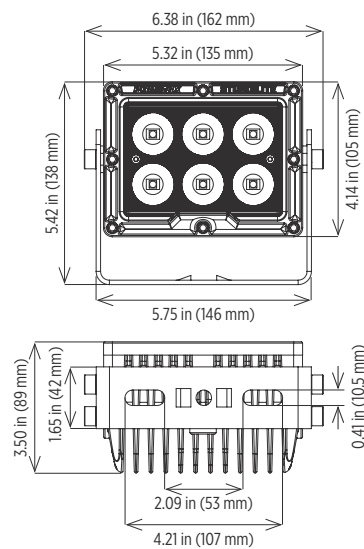
Durable, economic line of LED fixtures
Lightweight, compact design ideal for use on mobile equipment
Spot and flood optics minimize glare and provide precise optical control
LED technology increases efficiency, eliminates maintenance and supports green initiatives

Dimensions

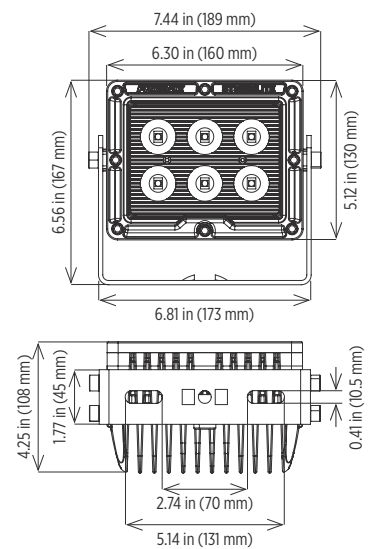
E36



E56



E90



Sturdilite® E-DC Series

Low-voltage LED Floodlight

PHOENIX®
DURABILITY X DESIGN™

Specifications

Construction	Die cast aluminum housing
Finish	Black powder coat
Hardware	Stainless steel
Lens	Impact-resistant polymer Spot (SP) and flood (FL) optics Precise optical control minimizes glare
Light source	Cree light emitting diodes (LED) 36W (E36), 56W (E56) or 90W (E90) Effective lumens: up to 2400 lumens (36W), 4500 lumens (56W) and 7100 lumens (90W) CCT 6000K 50,000 hour rated life
Power source	12-48V DC 18.00 inch cord with Deutsch connector - standard Over-voltage , over-temperature and reverse polarity protection
Wiring	Stranded wires
Ambient operating temperature	-40°C to +65°C Light output regulation in high ambient temperature environments protects the life of the LEDs
Shock	65G along 3 axes
Vibration	5 Grms, 100-2200Hz along 3 axes
Salt spray	Tested to ASTM B117 for 1000 hours
Aiming	90° aiming capability
Mounting	Stainless steel harp
Weight	E36 fixture: 1.3 lb (0.6 kg) case (12 fixtures): 20.9 lb (9.5 kg) E56 fixture: 4.2 lb (1.9 kg) case (6 fixtures): 22.0 lb (10.0 kg) E90 fixture: 7.1 lb (3.2 kg) case (6 fixtures): 39.7 lb (18.0 kg)
Case size	E36: 17.32 in x 10.04 in x 10.04 in (440 mm x 255 mm x 255 mm) E56: 20.47 in x 7.87 in x 9.84 in (520 mm x 200 mm x 250 mm) E90: 27.95 in x 17.32 in x 6.69 in (710 mm x 440 mm x 170 mm)
Warranty	3 years

Contact factory for IES files

Certifications

IP67
IP69K



Sturdilite® E36 on a haul truck



Ordering Information

Example: E-36-SP

Fixture	Wattage	Optic
E	36	SP
	56	FL
	90	

Wattage

36 36W, up to 2400 effective lumens
56 56W, up to 4500 effective lumens
90 90W, up to 7100 effective lumens

Optic

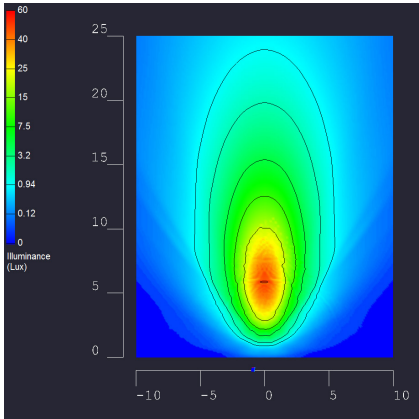
SP Spot (SP)
FL Flood (FL)

Special Projects: We may be able to accommodate your special projects, so please don't hesitate to ask about additional options. Minimum order quantities and/or extended lead times will apply. Contact your Phoenix representative with specific inquiries.

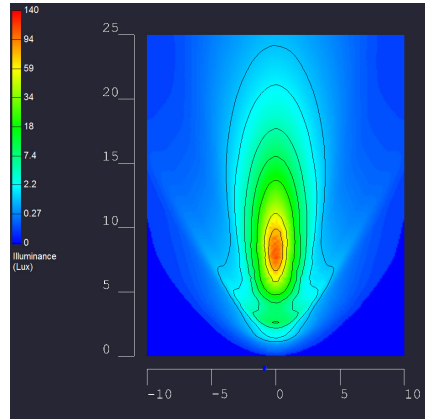


Isolux Charts

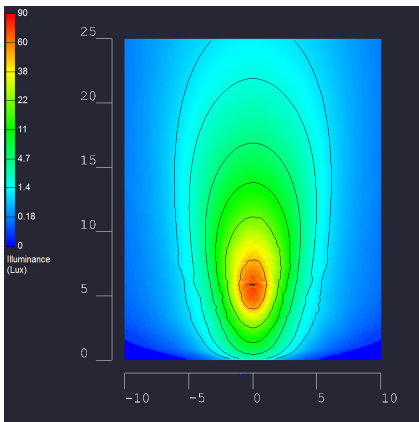
E36 - Flood



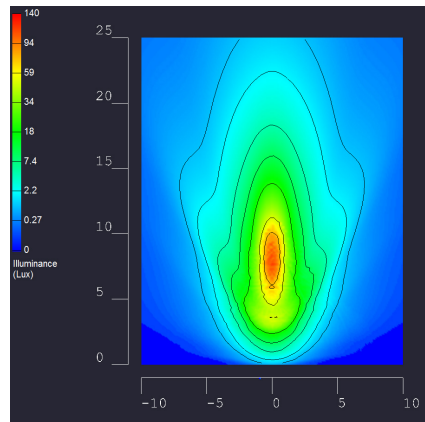
E36 - Spot



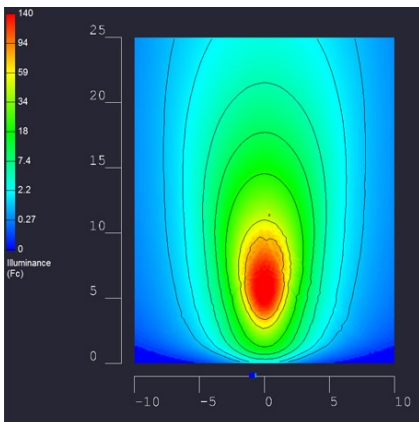
E56 - Flood



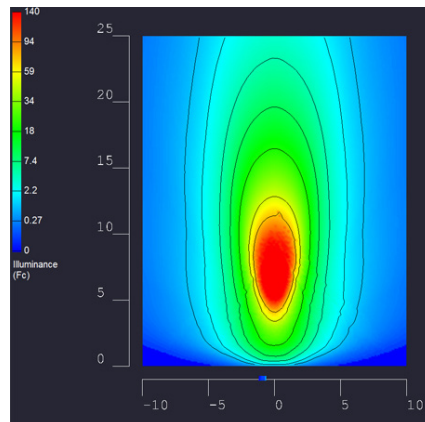
E56 - Spot



E90 - Flood



E90 - Spot



Cover photo: Sturdilite® E36 fixture installed on a haul truck

Product design and specifications are subject to change without notice. The most current version of this specification sheet can be found on our website: www.phoenixlighting.com.