

**Basic Information For Selecting Jib & Gantry Cranes
 Custom Quote Form**

Customer Contact Information

Customer Name: _____
 Address: _____
 Contact Name: _____ Phone: _____
 Email: _____

Basic Information for Selecting Jib & Gantry Cranes

Gantry Cranes

Type/Style: _____
 Capacity (Ton/kg): _____
 Span (ft): _____
 Min. Height Under Boom (ft): _____
 Overall Height Restriction (ft): _____



Steel, Fixed Height

Accessories:

- Tight Wire Kit/Tagline
- "C" Track Flat Cable Festooning
- Wheel Locks
- Swivel Locks
- Ratchet Lever Hight Adjustability
- V-Groove Casters
- Motorization
- Outdoor Application



Steel, Adjustable Height



Aluminum, Adjustable Height

Other Accessories/Special Requests:

**Basic Information For Selecting Jib & Gantry Cranes
 Custom Quote Form**

Customer Contact Information

Customer Name: _____
 Address: _____
 Contact Name: _____ Phone: _____
 Email: _____

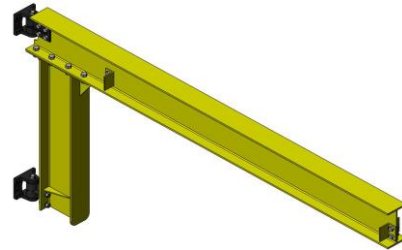
Basic Information for Selecting Jib & Gantry Cranes

Column/Wall Mounted Jib Cranes

Capacity (Ton/kg): _____
 Span (ft): _____
 Crane Style (see images): _____



Tie Rod Style



Cantilever Style

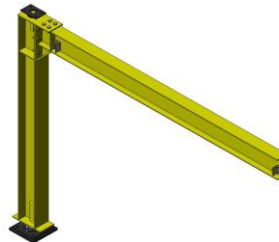
Accessories

- Tight Wire Kit/Tagline
- "C" Track Flat Cable Festooning
- Rotation Stops
- Motorization
- Outdoor Application

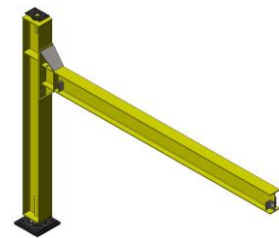
Other Accessories/Special Requests: _____

Column/Wall Mounted Jib Cranes

Capacity (Ton/kg): _____
 Span (ft): _____
 Mounting Height (ft): _____
 Height Under Boom (ft): _____
 Crane Style (see images): _____



Full



Drop

Accessories

- Tight Wire Kit/Tagline
- "C" Track Flat Cable Festooning
- Festooning Rotation Stops
- Motorization
- Outdoor Application

Other Accessories/Special Requests: _____

**Basic Information For Selecting Jib & Gantry Cranes
 Custom Quote Form**

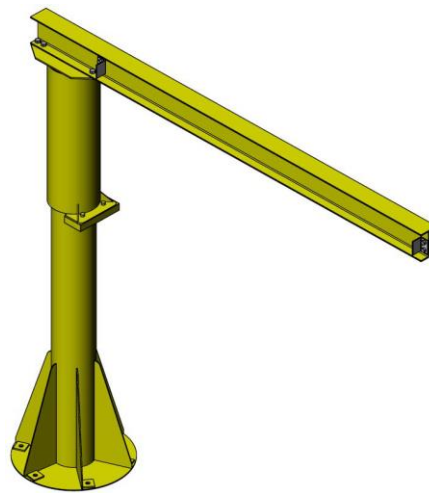
Customer Contact Information

Customer Name: _____
 Address: _____
 Contact Name: _____ Phone: _____
 Email: _____

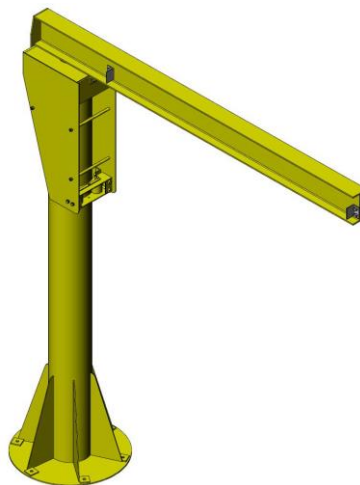
Basic Information for Selecting Jib & Gantry Cranes

Freestanding Jib Cranes

Capacity (Ton/kg): _____
 Span (ft): _____
 Mounting Height (ft): _____
 Height Under Boom (ft; up to 30+ ft): _____
OR
 Overall Height Restriction (ft): _____
 Crane Style (see images): _____



Light
Duty Jib



Heavy Duty Jib

Accessories

- Tight Wire Kit/Tagline
- "C" Track Flat Cable Festooning
- Rotation Stops
- Top Entry Collector
- Bottom Entry Collector
- Anchor Bolts
- Template
- Epoxy Anchoring Kits
- Epoxy Dispenser
- Motorization
- Outdoor Application

Other Accessories/Special Requests: _____

